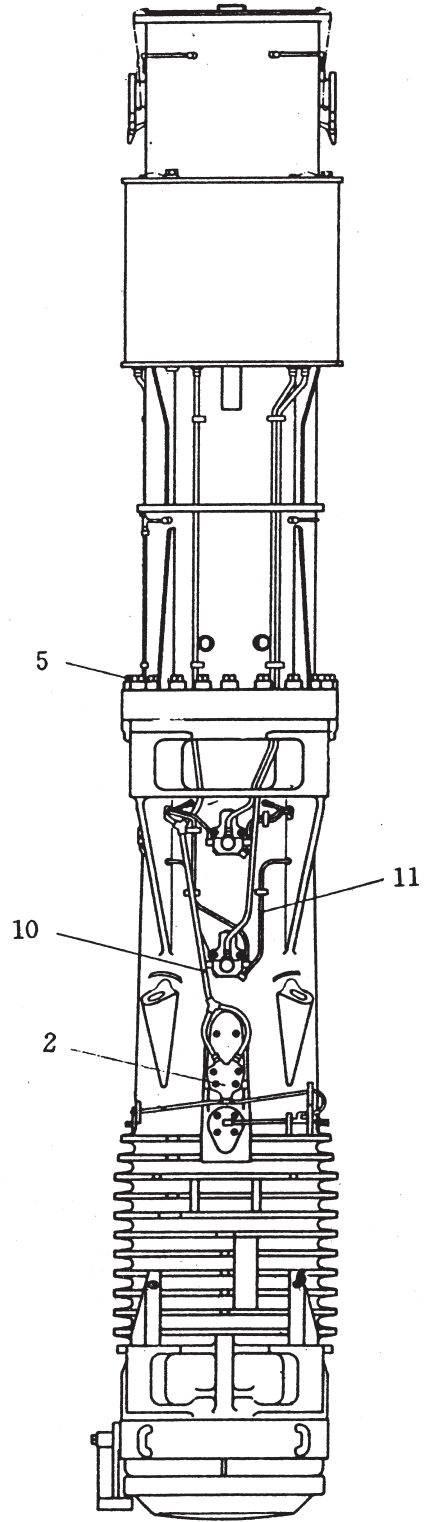
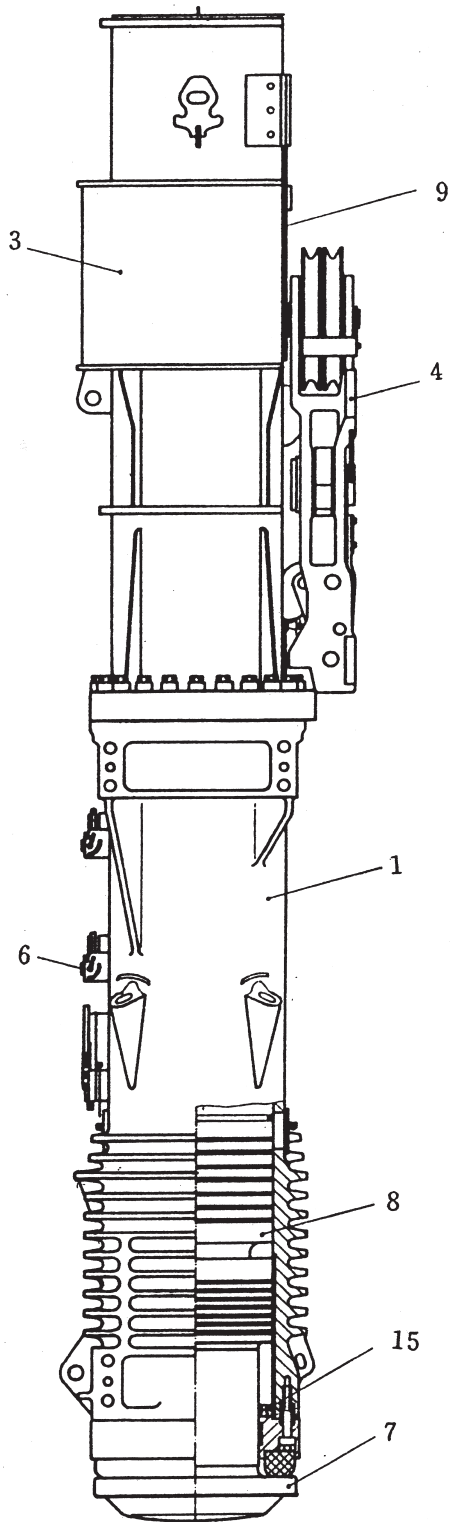


MODEL D125-42 DIESEL PILE HAMMER

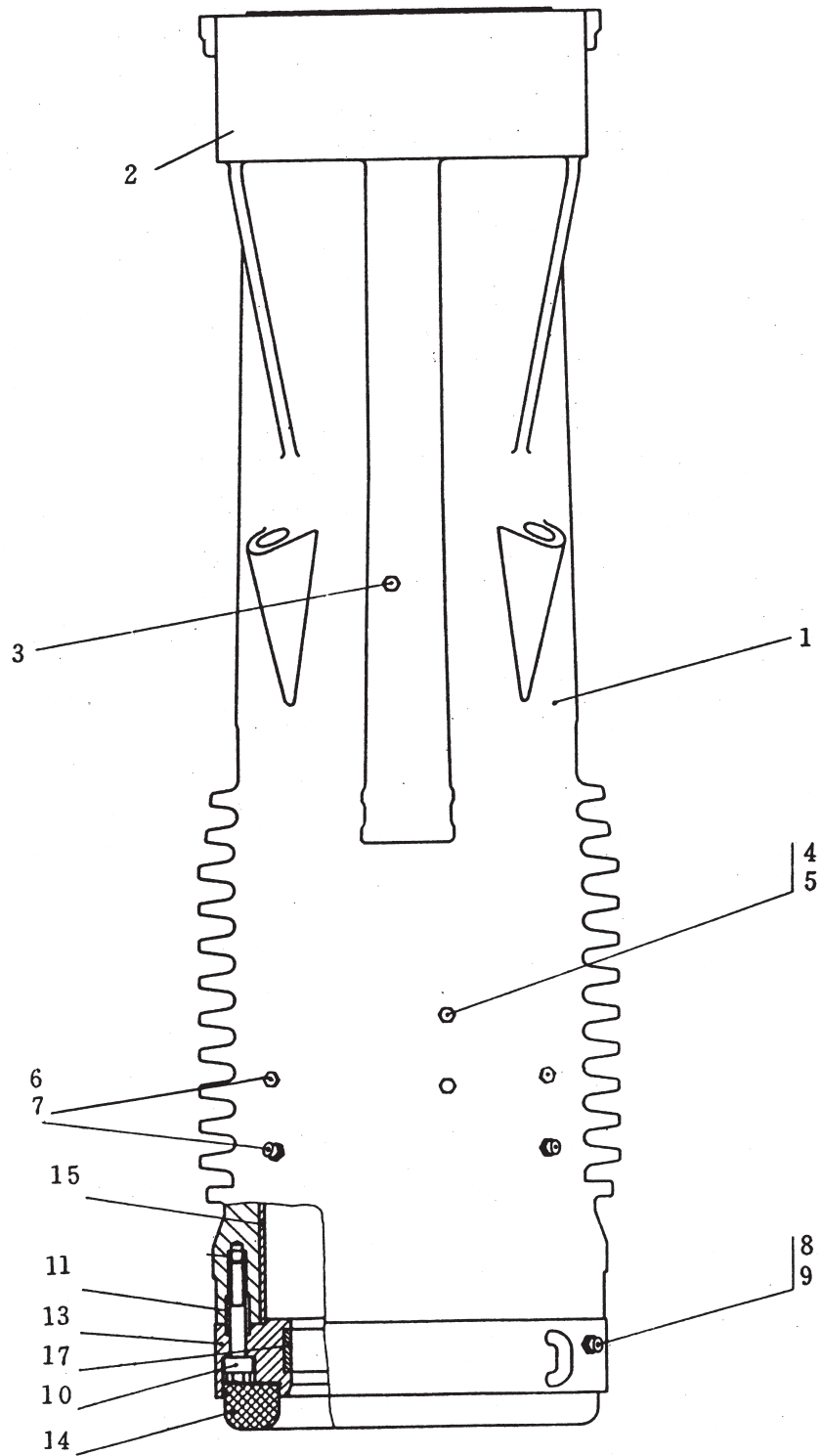


SPARE PARTS BOOK

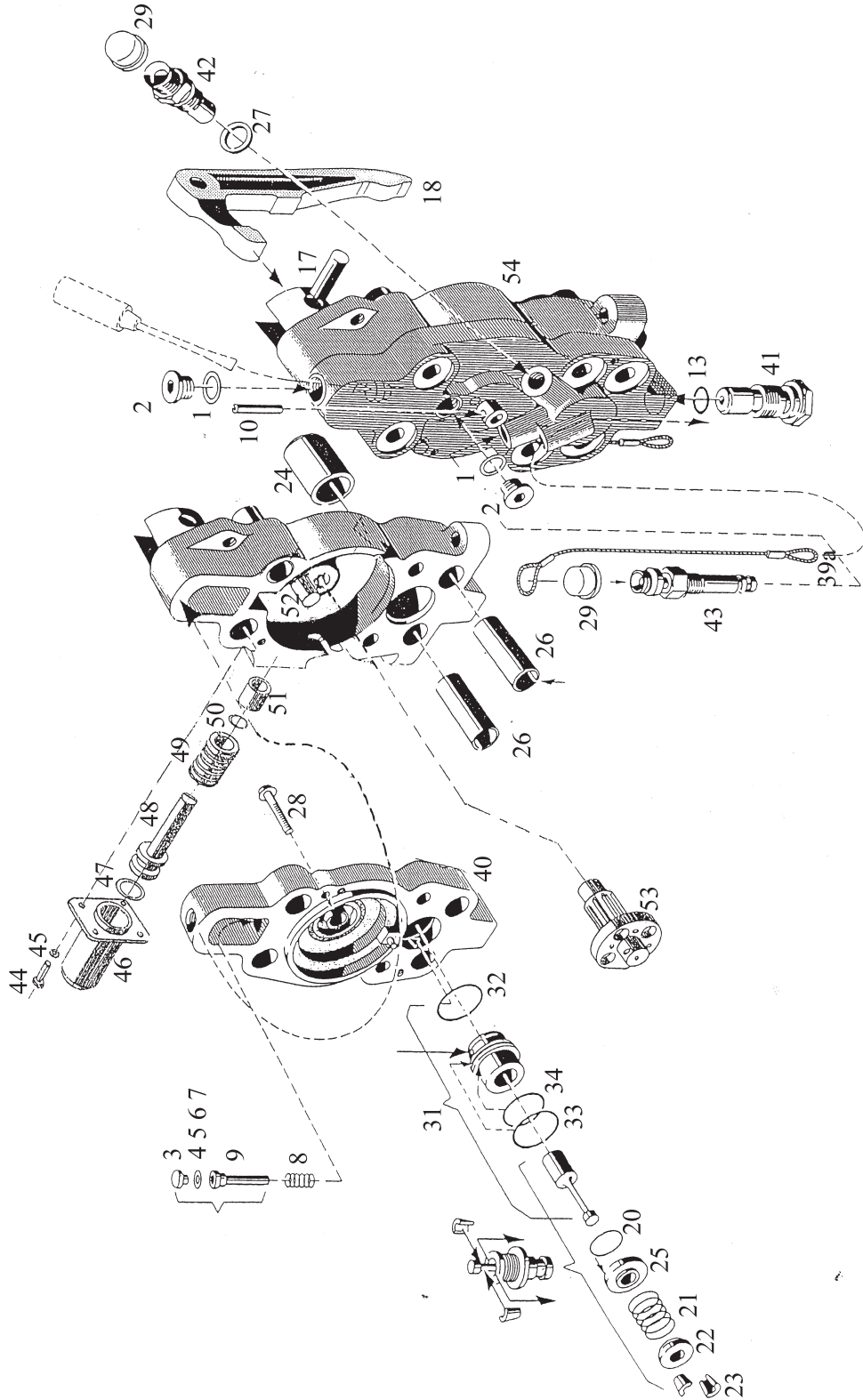
Corporate Office
7032 S. 196th Street
Kent, WA, USA 98032
Tel: 1-800-248-8498
Tel: 1-253-872-0141
Fax: 1-253-872-8710



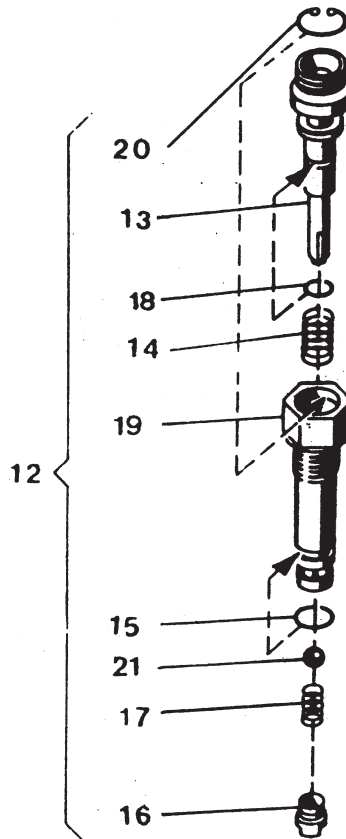
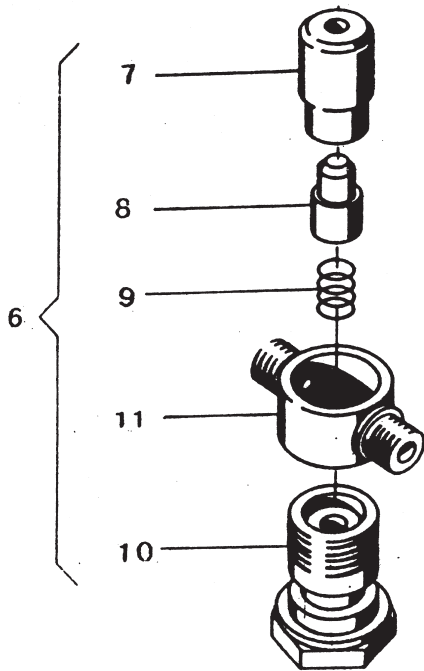
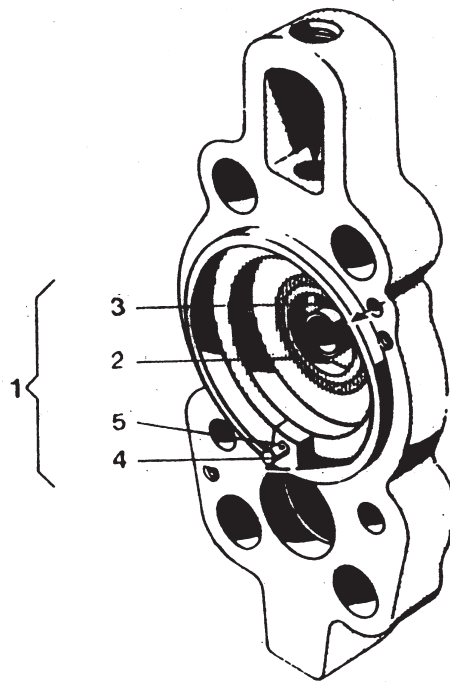
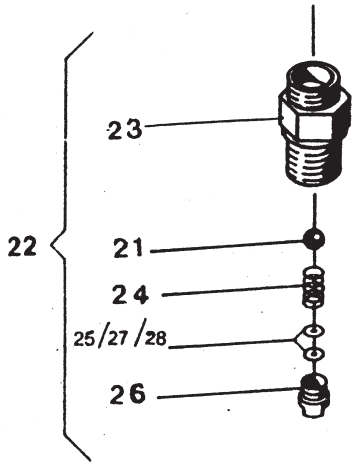
No.	Part No	Description	Qty	Ref. No.
	140.00	Diesel Pile Hammer D125-42	1	
1	140.01.00	Cylinder Lower Part Cpl.	1	
2	140.02.00	Variable-Delivery Fuel Pump	1	
3	140.03.00	Cylinder Upper Part Cpl.	1	
4	140.05.00	Trip Gear Cpl.	1	
5	140.06.00	Set Connecting Parts Cpl.	1	
6	136.07.00	Lube Pump Cpl.	2	108325
7	140.08.00	Impact Block Cpl.	1	
8	140.09.00	Striking Weight (Piston) Cpl.	1	
9	140.10.00	Transport Protecting Kit Cpl.	1	
10	140.11.00	Fuel Line/Breather Line Cpl.	1	
11	140.12.00	Lube Line With Connecting Parts Cpl.	1	
14	140.16.00	Tool Box Cpl.	1	
15	140.00-1	Inner Damping Ring.	1	



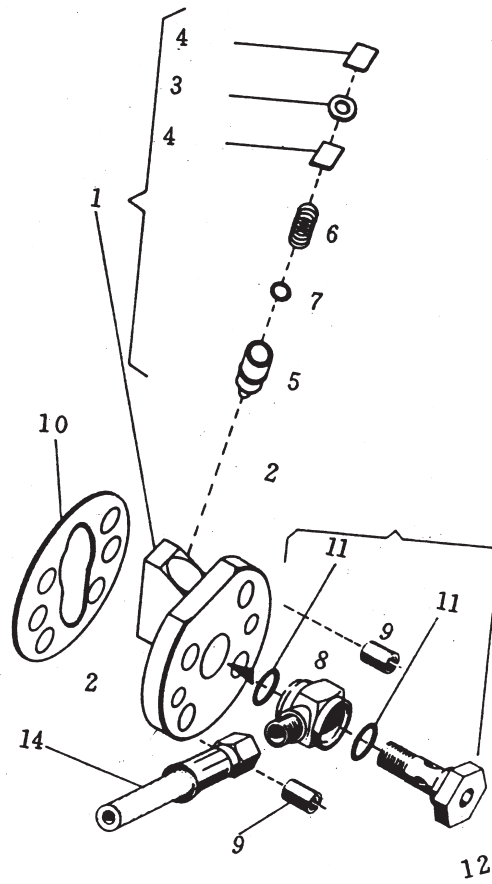
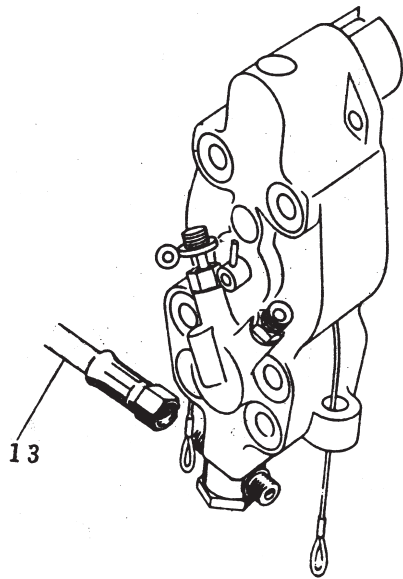
No.	Part No.	Description	Qty	Ref. No.
	140.01.00	Cylinder Lower Part Cpl.	1	
1	140.01.01	Lower Cylinder	1	
2	137.01.01-3	Threaded Insert M36×54	24	93233
3	135.01.00-4	Plug Screw R3/8	1	93235
4	JB1000-77	Plug Screw M18×1.5	2	91460
5	135.01.00-2	Sealing Ring A18×22	2	90002
6	137.01.00-2	Plug Screw M20×1.5	4	92016
7	135.02.00-29	Sealig Ring A20×24	4	92031
8	135.01.02-2	Reducer	6	22952
9	135.01.02.02A	Grease Nipple M10×1	6	90791
10	136.01.00-2	Reduced Srew M36	16	20038
11	136.01.01-4	Dowel Pin	36	94281
13	140.01.02.01	Cylinder End Ring 2 Piece Cpl.	1	
14	140.01.00-1	Rubber Ring 2 Piece	1	
15	140.01.01-2	Cylinder Sleeve (On Request)	2	
17	140.01.02-1	Ring 2 Piece	1	
18	136.01.00-2	Reduced Screw	4	20038



No.	Part No.	Description	Qty	Ref. No.
	140.02.00	Variable-Delivery Fuel Pump	1	
1	135.02.00-1	Sealing Ring A18×22	2	90002
2	JB1001-77	Plug Screw M18×1.5	2	93055
3	135.02.00-3	Push Cap	1	62124
4	135.02.00-4	Adjusting Washer 8.2×19.8×0.3	1	97332
5	135.02.00-5	Adjusting Washer 8.2×19.8×0.5	1	97333
6	135.02.00-6	Adjusting Washer 8.2×19.8×0.6	1	97334
7	135.02.00-7	Adjusting Washer 8.2×19.8×0.4	1	97348
8	135.02.00-8	Pressure Spring 14.5×34 ×1	1	22046
9	135.02.00-9	Push Rod	1	62126
10	GB879-76	Dowel Pin 6×40	1	90150
11	135.02.00-10	Screen Pin	1	22049
12	135.02.00-11	Pressure Spring 5.5×20×1.2	1	22044
13	135.02.00-12	Round Sealing Ring 22×3	1	91296
14	135.02.00-13	Cam	1	22052
15	135.02.00-14	Cam	1	22051
16	135.02.00-15	Spring	1	22245
17	135.02.00-16	Pin	1	22043
18	140.02.00-17	Pump Lever	1	
19	135.02.00-18	Swivel Spring	1	22062
20	140.02.00-19	Round Sealing Ring 55.25×2.62	1	
21	135.02.00-20	Pressure Spring	1	22060
22	135.02.00-21	Spring Retaining Collar	1	22058
23	135.02.00-22	Conical Ring 2 Piece	1	22059
24	135.02.00-23	Guide Sleeve	1	43287
25	140.02.00-24	Holder Ring	1	
26	135.02.00-25	Dowel Pin 28×80	4	94315
27	135.02.00-29	Sealing Ring A20×24	1	92031
28	GB5782-86	Locking Screw M8×50	1	93456
29	135.02.00-31	Protecting Cap	2	93236
30	135.02.01	Switch Shaft	1	43308
31	140.02.03	Pump Element Cpl., For D125-32	1	
32	140.02.03-1	Round Sealing Ring 48.9×2.62	1	
33	140.02.03-2	Round Sealing Ring 55.99×2.62	1	
34	140.02.03-3	Round Sealing Ring 48.9×2.62	1	
35	135.02.04	Rope Disc Cpl.	1	22040
36	140.02.05	Pump Boby Cpl.	1	
37	GB879-76	Dowel Pin 6×28	1	90137
38	GB879-76	Dowel Pin 5×40	1	90155
39	135.02.11	Regulation Rope	1	17546
40	135.02.11A	Regulation Rope For Stop Valve		
41	140.02.02	Pump Cover Cpl.	1	
42	135.02.06	Check-Non-Return Valve Cpl.	1	60827
43	140.02.09	Suction Valve Cpl.	1	41863
44	14002.10	Stop Valve Cpl	1	41868

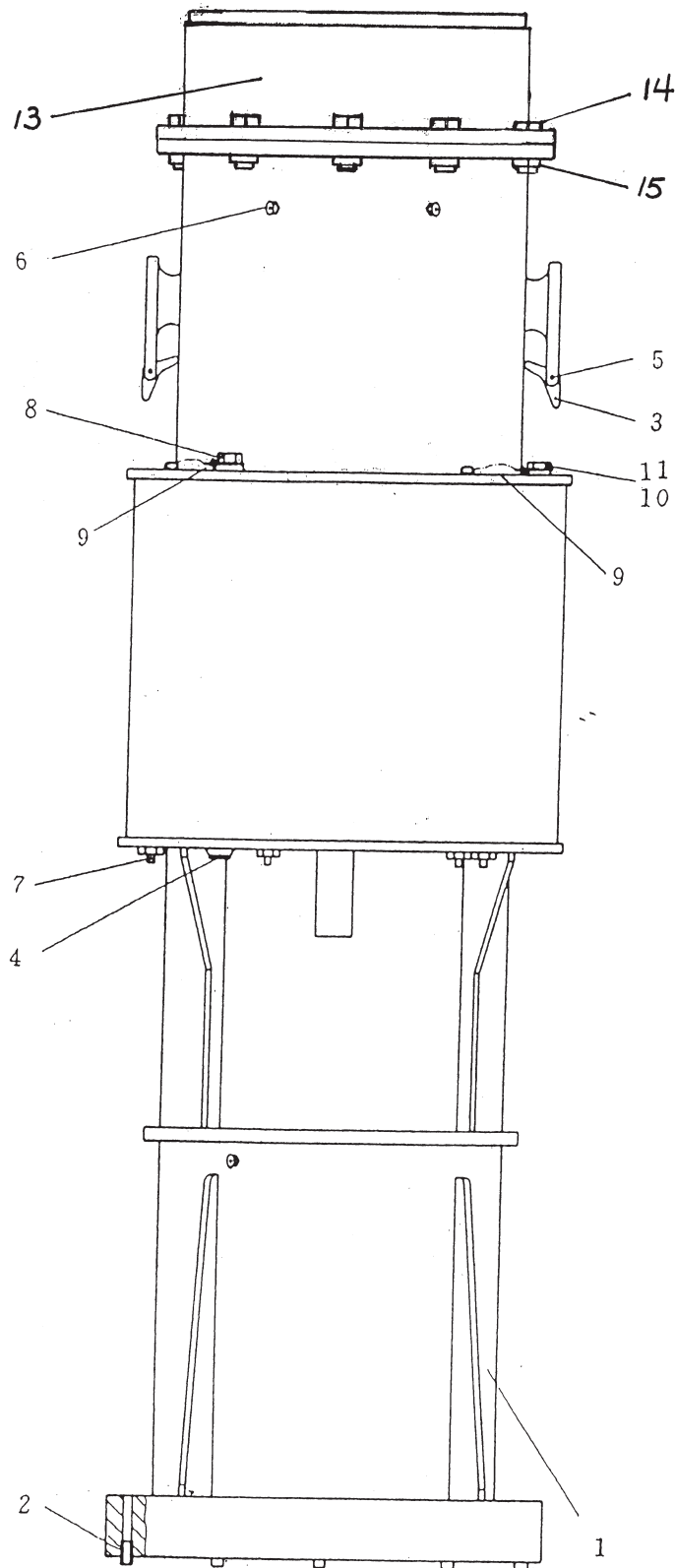


No.	Part No.	Description	Qty	Ref. No.
1	140.02.02	Pump Cover Cpl.	1	
2	135.02.02-2	Ring	1	22050
3	135.02.02-3	Stop Pin	1	43307
4	135.02.02.01	Stop	1	22796
5	GB879-76	Dowel Pin 10×32	1	90231
6	135.02.06	Check-Non-Return Valve Cpl.	1	60827
7	135.02.06-1	Housing	1	43297
8	135.02.06-2	Valve Piston	1	43299
9	135.02.06-3	Pressure Spring	1	22034
10	135.02.06-4	Screw	1	60194
11	135.02.06-5	Ring Type Nipple	1	60195
12	140.02.10	Stop Valve Cpl.	1	41868
13	140.02.10-1	Valve	1	43138
14	140.02.10-2	Pressure Spring	1	43279
15	140.02.10-3	Round Sealing Ring 18x2.65	1	94316
16	140.02.10-4	Threaded Plug	1	22021
17	140.02.10-5	Pressure Spring	1	98929
18	140.02.10-6	Round Sealing Ring 15x2.65	1	91894
19	140.02.10-7	Valve Screw	1	43130
20	GB893	Circlip 20×1	1	95786
21	GB308	Ball, Ø12.7mm	1	98511
22	140.02.09	Suction Valve Cpl.	1	41863
23	140.02.09-1	Sleeve	1	41861
24	135.02.09-2	Pressure Spring 7.3×8×0.7	1	22022
25	135.02.09-3	Washer	1	95294
26	135.02.09-4	Threaded Plug	1	41862
27	135.02.09-5	Washer	1	22023
28	135.02.09-6	Adjusting Washer	1	191300

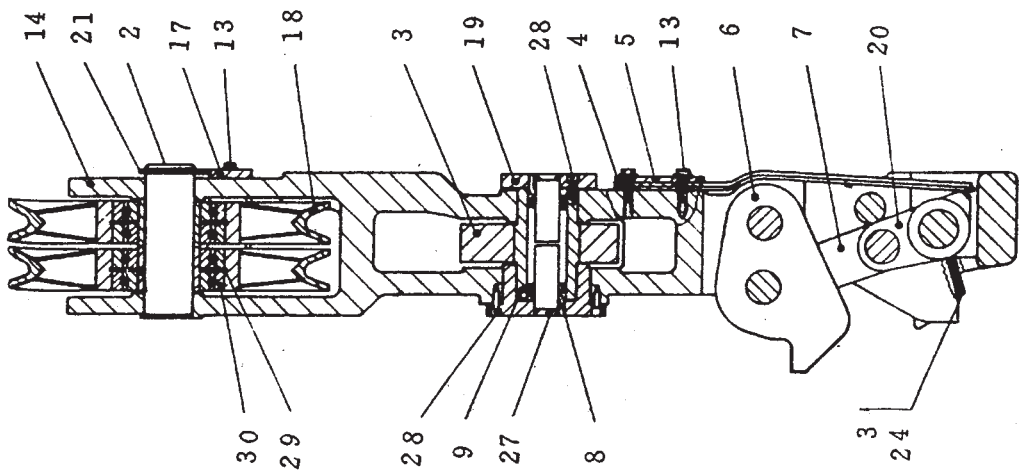
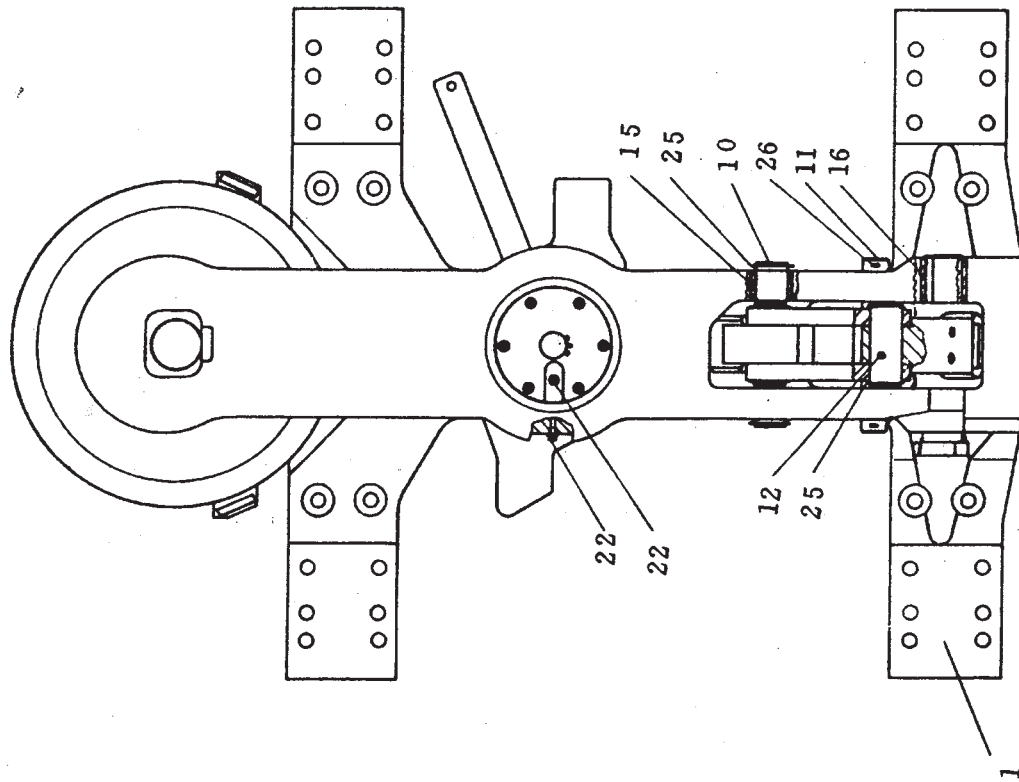


No.	Part No.	Description	Quantity	Reference No.
1	136.02.02	Injection Valve Cpl.	4	104675
2	136.02.02-1	Injection Valve Body	4	104676
3	135.02.07-2	Spring Washer	4	64461
4	135.02.07-3	Locking Plate	8	64460
5	135.02.07-4	Valve Piston	4	63843
6	135.02.07-5	Pressure Spring	4	97569
7	135.02.07-7	Adjusting Washer	8	97573
8	135.02.00-26	Threaded Pipe Joint	4	97308
9	135.02.00-27	Dowel Pin 21×28	8	95633
10	135.02.00-28	Sealing	4	45647
11	135.02.00-32	Round Sealing Ring 17×1.5	8	97258
12	135.02.00-33	Hollow Screw	4	97308
*	140 13 00	High Pressure Hose Set	1	
13	140.11.02	High Pressure Hose, 1020 Mm Long	2	
14	140.11.01	High Pressure Hose, 320 Mm Long	4	

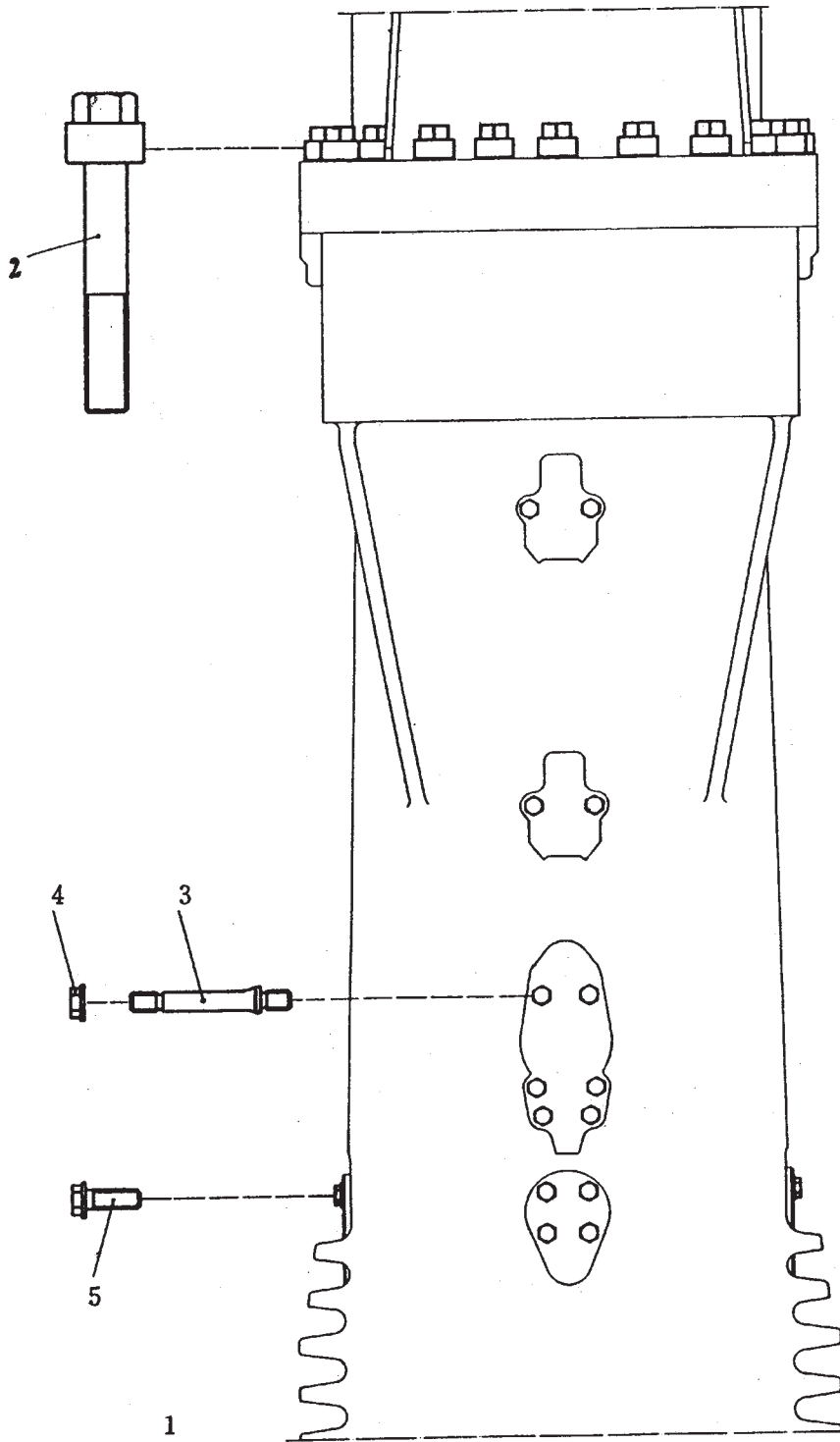
Note: Items with “*” are not shown.



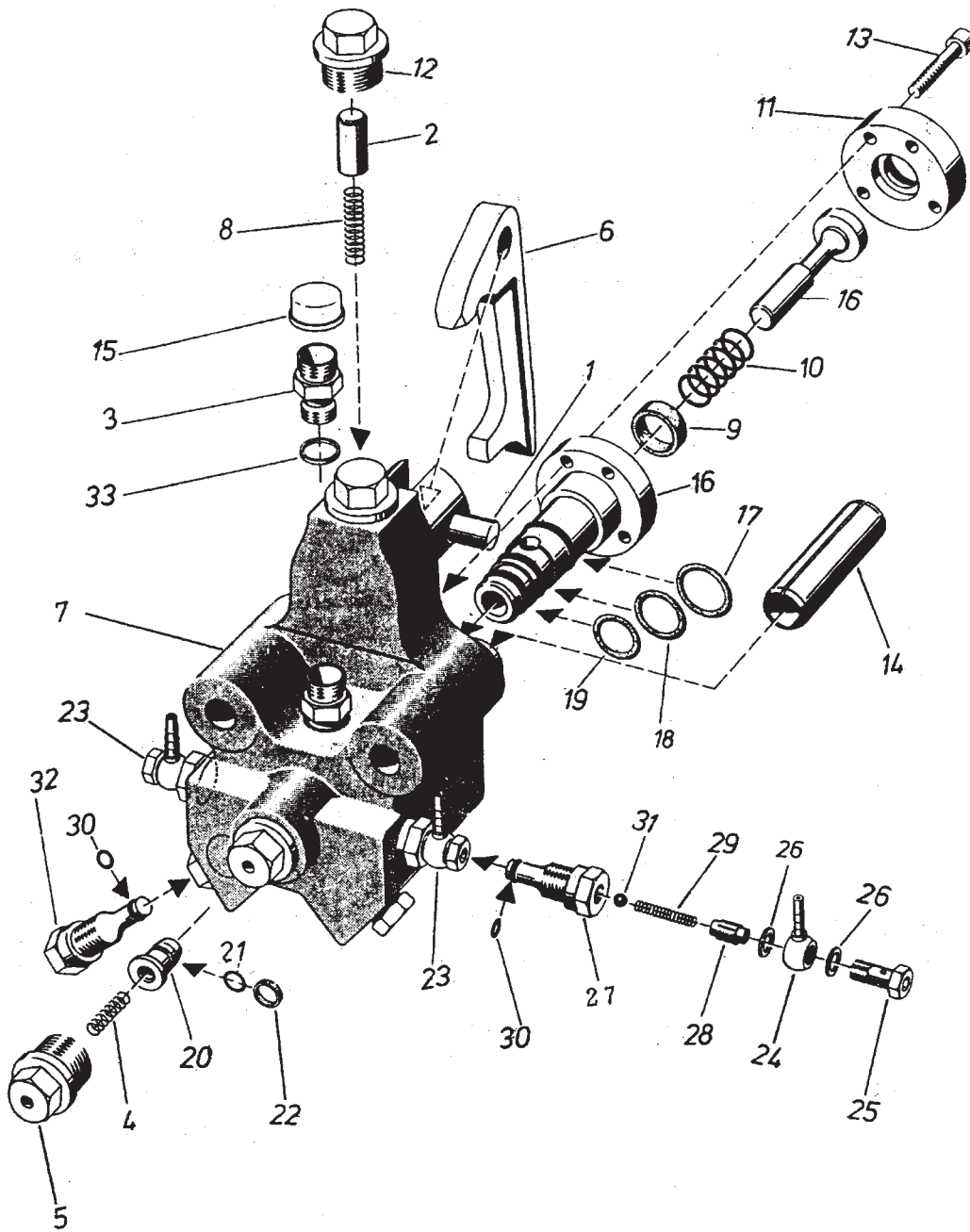
No.	Part No.	Description	Quantity	Reference No.
1	140.03.00	Cylinder Upper Part Cpl.	1	
2	136.01.01-4	Dowel Pin	8	94281
3	140.03.00-1	Ratchet	2	17039
4	135.03.00-3	Protection Plug	1	96890
5	135.03.00-3	Dowel Pin 13×60	2	90044
6	135.01.02.02A	Grease Nipple M10×1	1	90791
7	135.03.02	Filter Elbow	4	64403
8	135.03.03	Plug Screw “Ether” Cpl.	1	20651
9	135.03.03-2	Chain Link	3	2253
10	135.03.04	Plug Screw “Lube Oil” Cpl.	1	17188
11	135.03.05	Plug Screw “Diesel” Cpl.	1	17186
12	140.03.01	Cylinder Catch Groove Extention Part	1	
13	GB5782	Screw M24 x 130	16	
14	GB6186	Lock Nut	16	



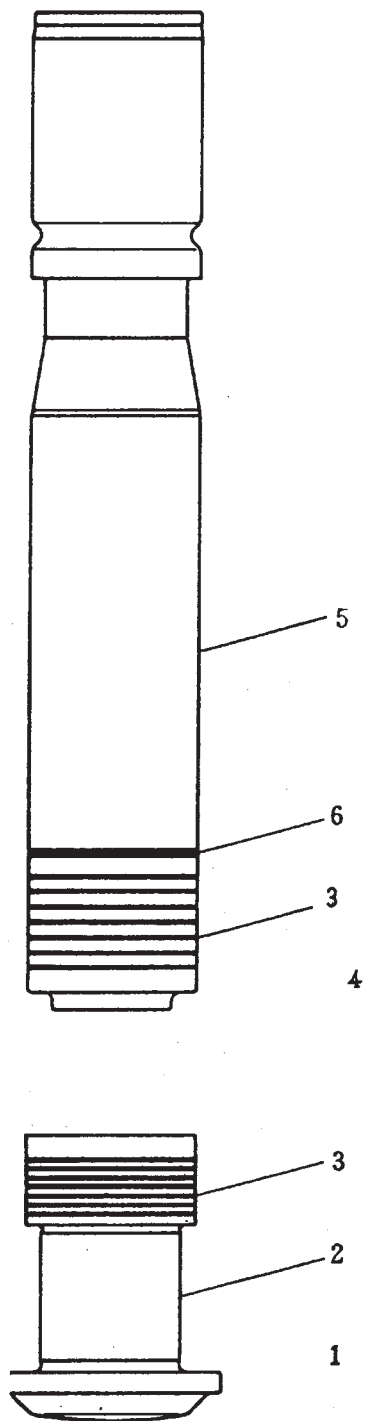
No.	Part No.	Description	Quantity	Reference No.
1	140.05.00	Trip Gear Cpl.	1	
2	137.05.00-1	Sheave Pin	1	41823
3	137.05.00-2	Carrier	1	41844
4	137.05.00-3	Leaf Spring	2	41850
5	137.05.00-4	Plate	1	41846
6	137.05.00-5	Pawl	1	41845
7	137.05.00-6	Shackle	2	41847
8	137.05.00-7	Torsion Spring	1	41851
9	137.05.00-8	Shaft	1	41849
10	137.05.00-9	Shaft	1	41841
11	137.05.00-10	Joint Bolt	1	98514
12	137.05.00-11	Shaft	2	41848
13	135.06.00-6	Locking Screw M16?5	8	95639
14	137.05.01-1	Guide Body	1	22984
15	137.05.01-2	Sleeve	2	22986
16	137.05.01-3	Sleeve	2	22987
17	137.05.02	Rope Guard	1	41842
18	137.05.03	Rope Pulley Cpl.	2	41839
19	137.05.04	Lever	1	41831
20	137.05.05	Pawl Lever	1	41824
21	GB91-86	Split Pin 10?20	1	16802
22	135.01.02.02A	Grease Nipple M10?	1	90791
23	GB879-86	Dowel Pin 16?00	1	90337
24	GB879-86	Dowel Pin 10?00	1	91410
25	GB894.1-86	Circlip 60?	1	90260
26	GB91-86	Split Pin 10?0	1	90638
27	137.05.06	Flange Cpl.	1	41835
28	GB70-76	Cylinder Screw M12?0	1	91395
29	GB893.1-86	Circlip 160	1	98905
30	140.05.03-1	Bearing	4	



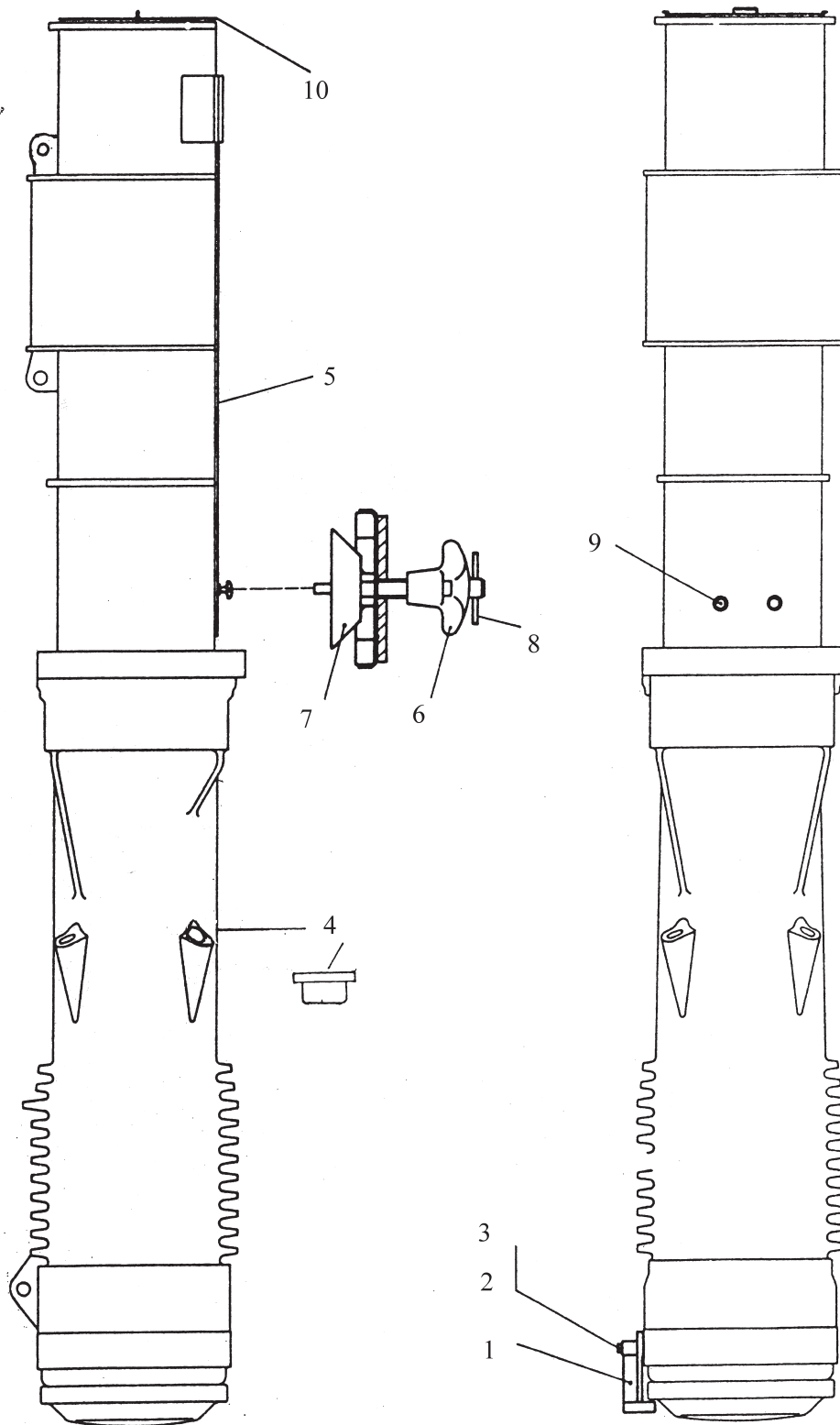
No.	Part No.	Description	Quantity	Reference No.
1	137.06.00	Set Connecting Parts Cpl.	1	41945
2	136.01.00-2	Screw M36	18	20038
3	135.06.00-1	Stud Bolt M16	10	20189
4	135.06.00-5	Locking Nut M16	10	94722
5	135.06.00-6	Locking Screw M16×45	16	95639



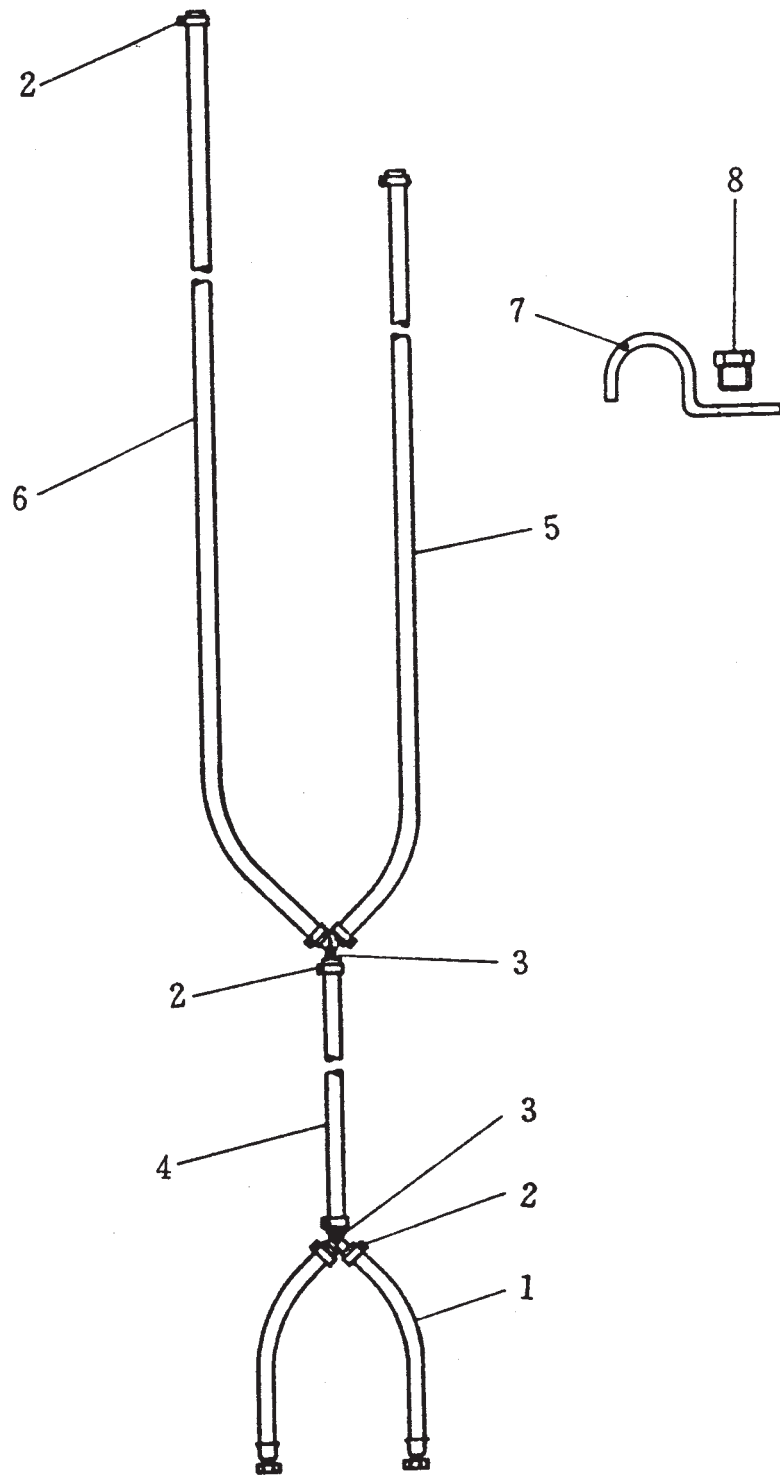
No.	Part No.	Description	Quantity	Reference No.
	136.07.00	Lube Pump Cpl	2	108325
1	135.07.00-1	Pin	2	22082
2	135.07.00-2	Sleeve	2	22090
3	135.07.00-3	Adaptor (Tube To Thread)	2	67290
4	135.07.00-4	Pressure Spring	2	190479
5	136.07.00-5	Plug Screw	2	108328
6	135.07.00-6	Pump Lever	2	22081
7	135.07.00-7	Pump Body	2	108315
8	135.07.00-8	Pressure Spring	2	22089
9	135.07.00-9	Ring	2	67283
10	135.07.00-10	Pressure Spring	2	97325
11	135.07.00-11	Washer	2	67282
12	135.07.00-12	Plug Screw R1"	2	91976
13	GB70-76	Screw M8×35	8	90937
14	135.02.00-25	Dowel Pin 28×80	4	94315
15	135.02.00-31	Protecting Cap	2	93236
16	135.07.01	Cylinder Cpl.	2	67279
17	135.07.01-3	Round Sealing Ring 30×3	2	92952
18	135.07.01-4	Round Sealing Ring 26×3	2	91357
19	135.02.00-12	Round Sealing Ring 22×3	2	91296
*	135.07.02	Piston Cpl.	2	67284
20	135.07.02-1	Piston	2	67285
21	135.07.02-2	Round Sealing Ring 17×2.5	2	97236
22	135.07.02-3	Slide Ring	2	97326
23	135.07.03	Pressure Valve Cpl	6	108317
24	135.07.03-1	Ring Type Nipple	6	97949
25	135.07.03-2	Hollow Screw	6	97948
26	135.07.03-3	Sealing Ring	12	91417
27	135.07.03-4	Adaptor (Tube To Thread)	6	108319
28	135.07.03-5	Threaded Plug	6	104679
29	135.07.03-6	Pressure Spring	6	190005
30	135.07.03-7	Round Sealing Ring 8×2	8	97855
31	GB308-64	Ball, F6	6	90307
32	135.07.04-1	Plug Screw	2	108316
33	135.02.00-29	Sealing Ring	2	92031



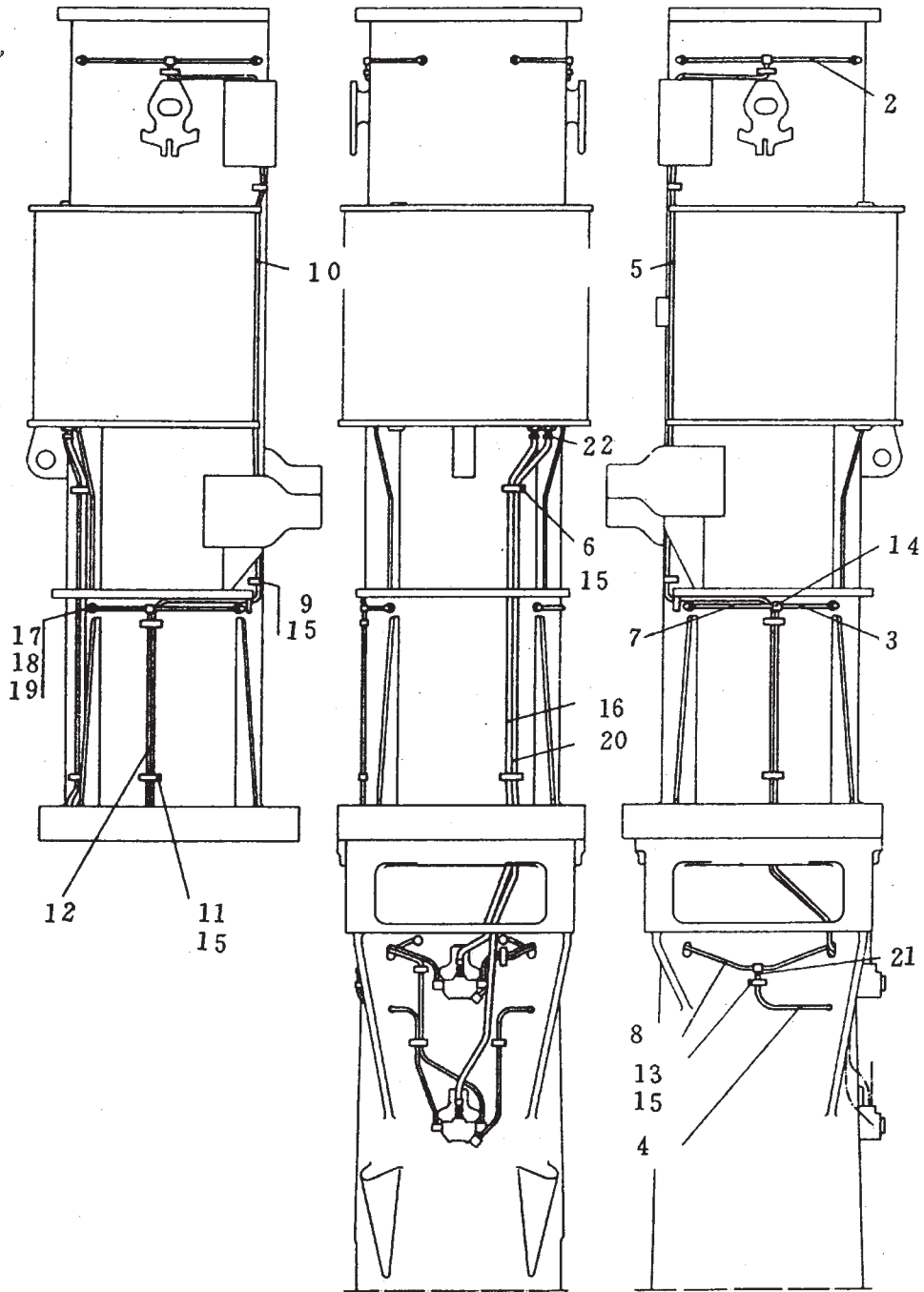
No.	Part No.	Description	Qty	Ref. No.
1	140.08.00	Impact Block Cpl.	1	
2	140.08.00-1	Impact Block (Anvil)	1	
3	140.08.00-2	Piston Ring	15	
4	140.09.00	Striking Weight (Piston) Cpl.	1	
5	140.09.00-1	Striking Weight (Piston)	1	
6	140.09.00-2	Catch Piston Ring	1	



No.	Part No.	Description	Qty	Ref. No.
	140.10.00	Transport Protecting Cpl.	1	
1	140.10.01.01	Securing Clamp	2	
2	135.06.00-4	Dowel Pin 40×75	2	95195
3	135.06.00-2	Reduced Screw M24	2	20174
4	140.10.03	Exhaust Cover	4	
5	140.10.02	Cylinder Slot Cover Cpl.	1	
6	135.10.02-2	Star Handle	1	96200
7	135.10.02.02	Tommy Screw	1	41935
8	GB879-79	Dowel Pin 6×60	1	90160
9	135.10.00-1	Locking Screw M42×3	2	105787
10	140.10.01	Protecting Cap	1	



No.	Part No.	Description	Qty	Ref. No.
	140.11.00	Fuel Line/Breather Line Cpl.	1	
1	140.11.02	Hose, 0.275 M Long	2	
2	No. 0	Hose Clip 5/8" - 1"	8	94299
3	135.11.01	Hose Piece	2	99019
4	140.11.03-2	Hose, 0.72 M Long	1	
5	140.11.03-1	Hose, 1.9 M Long	1	
6	140.11.03-3	Hose, 2.59 M Long	1	
7	137.11.03-4	Clip	4	41981
8	GB5782-86	Locking Screw M8×12	16	93412



No.	Part No.	Description	Qty	Ref. No.
1	140.12.00	Lube Line With Connecting Parts	1	
2	140.12.00-1	Hose	4	
3	140.12.00-2	Hose	2	
4	140.12.00-3	Hose	2	
5	140.12.00-4	Hose	1	
6	137.12.00-5	Clip	2	41965
7	140.12.00-6	Hose	2	
8	140.12.00-7	Hose	4	
9	137.12.00-8	Clip	6	41982
10	140.12.00-9	Hose	1	
11	137.12.00-10	Clip	6	43478
12	140.12.00-11	Hose	2	
13	135.12.00-1	Clip	4	2932
14	135.12.00-7	Piece	6	94522
15	GB5782	Locking Screw M8×12	14	93412
16	140.12.00-1	Hose 2M Long	1	98549
17	135.07.03-1	Ring Type Nipple	12	97949
18	135.07.00-2	Hollow Screw	12	97948
19	135.07.03-3	Sealing Ring	24	91417
20	140.12.01	Hose	1	
21	No.000	Hose Clip 7/16"-5/8"	36	95115
22	No.0	Hose Clip 5/8"-1"	2	94299

No.	Part No.	Description	Quantity	Reference No.
	140.16.00	Tools And Accessories	1	
1	140.16.01	Piston Ring Fitting Band Cpl.	1	
2	135.16.02	Piston Ring Fitting Pliers Cpl.	1	16897
3	135.16.03	Assembly Plate	2	22700
4	135.16.04-5	Punch F12/F16	1	93349/90354
5	135.16.04-6	Punch F4/F8	1	90178/93348
6	135.16.04-7	Single-Head Spanner	1	
7	135.16.05	Tool Box	1	90890
8		Rope 35M Long	2	1130
9		Rope 70M Long	2	1129
10	2350-20/36 (DWN 29)	Ratchet Spanner	1	90196
11	140.16.07	Ring Screw M64, Gb825-76	1	
12	JB718-65	Double Ended Open Spanner 30×32	1	90655
13	JB718-65	Double Ended Open Spanner 19×22	1	90443
14	JB717-65	Single Ended Open Spanner 46	1	90184
15	JB717-65	Single Ended Open Spanner 27	1	90465
16	JB717-65	Single Ended Open Spanner 17	1	95071
17	JB717-65	Single Ended Open Spanner 55	1	90467
18		Double Ended Ring Spanner 22×24	1	95834
19		Socket Wrench Sw22	1	90197
20		Socket Wrench Sw46	1	90199
21		Angled Screw Driver 5	1	90055
22		Angled Screw Driver 6	1	90862
23		Angled Screw Driver 8	1	90657
24		Angled Screw Driver 10	1	90469
25		Angled Screw Driver 14	1	90079
26		Angled Screw Driver 19	1	90194
27		Pliers A19	1	90785
28		Oil Feeder	1	90670
29	135.16.06	Grease Gun	1	90795