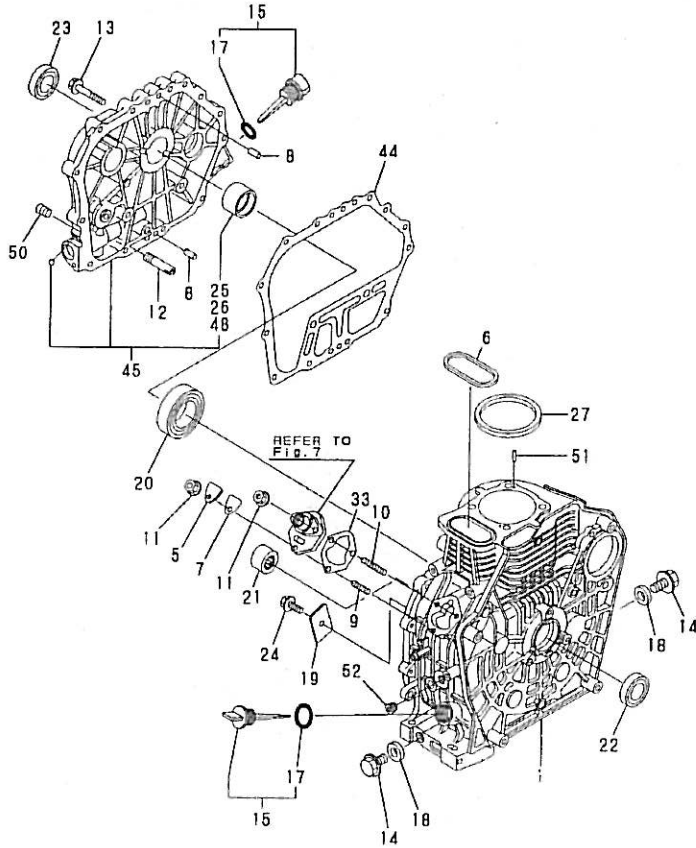


ig.1. CYLINDER BLOCK

Y00R6310 1. CYLINDER BLOCK

(A)=L100V6CA1T1A (D)=  
 (B)= (E)=  
 (C)= (F)=

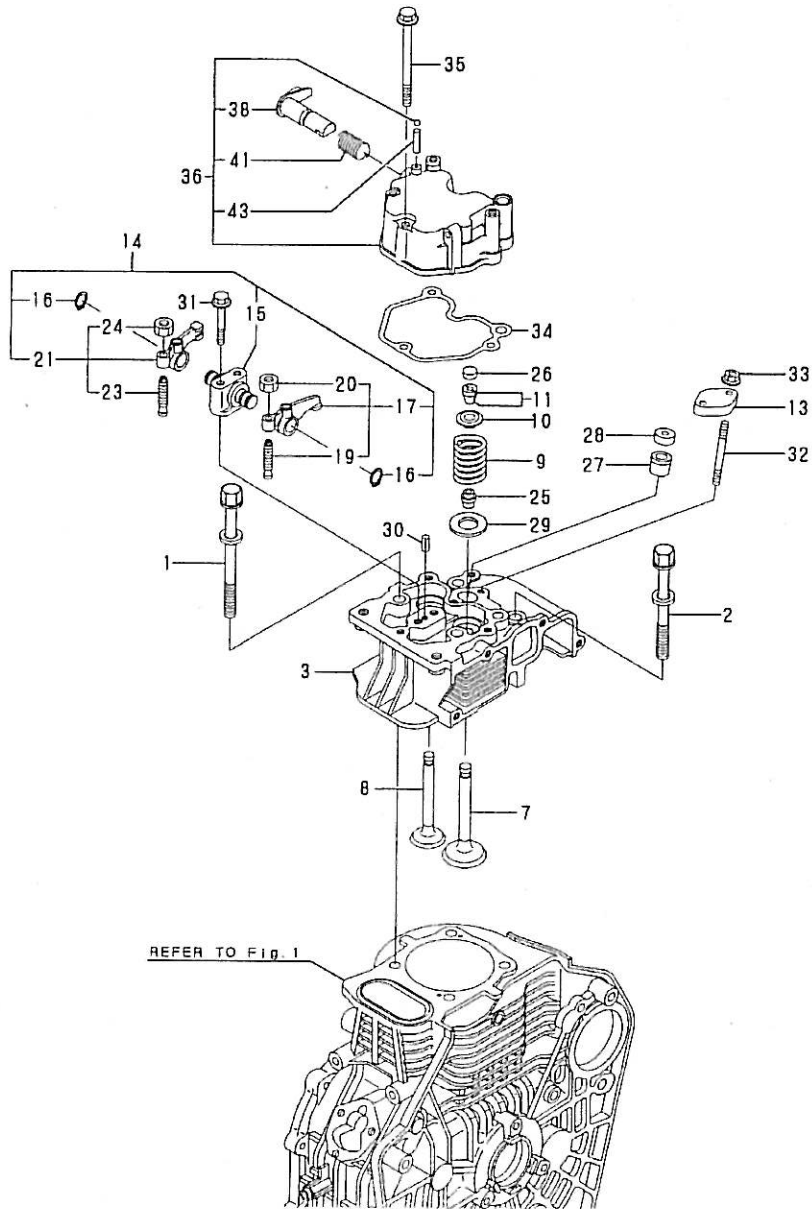


REF.	LEV.	PARTS NO.	DESCRIPTION	QTY						I	R
				(A)	(B)	(C)	(D)	(E)	(F)		
1	1	114310-01010	BLOCK ASSY, CYLINDER	1							
5	1	114299-01830	COVER,(FO PUMP	1							
6	1	114699-01380	O-RING	1							
7	1	114250-01841	GASKET	1							
8	1	114299-01600	PIN, 8X12	2							
9	1	26226-060182	STUD M 6X 18 PLATED	1							
10	1	26226-060222	STUD M 6X 22 PLATED	2							
11	1	26366-060002	NUT M 6	3							
12	1	114299-35150	PIPE, L.O. INLET	1							
13	1	26106-080352	BOLT M 8X 35 PLATED	16							
14	1	114299-01690	PLUG M16	2							
15	1	114699-01760	CAP, W/LUB.OIL GAUGE	2							
17	2	114299-01950	O-RING	2							
18	1	22190-160002	SEAL WASHER 16S	2							
19	1	114299-02030	RETAINER	1							
20	1	114650-02150	BALL BEARING	1							
21	1	24162-152220	NEEDLE, 152220	1							
22	1	24423-355008	SEAL, OIL	1							
23	1	24423-355008	SEAL, OIL	1							
24	1	26106-080122	BOLT M 8X 12 PLATED	1							
25	1	114650-02200	MAIN BEARING US=0.25	1							2
26	1	114650-02210	MAIN BEARING US=0.50	1							3
27	1	114695-01330	GASKET ASSY,CYL.HEAD	1							
33	1	114299-01800	SHIM SET	1							
44	1	114699-01410	GASKET, CRANK CASE	1							
45	1	114310-01450	COVER(D, CRANK CASE	1							
48	2	114650-02100	BEARING, MAIN	1							1
50	1	23876-010000	PLUG PT1/8, SCREW	1							
51	1	22312-040080	PIN 4X8, STRAIGHT	2							
52	1	23875-020000	PLUG PT1/4, STEEL	1							

Remarks

- (1)REPAIR PART
- UNDER SIZED(U S =0.25)PART.
- UNDER SIZED(U S =0.50)PART.

Fig. 2. CYLINDER HEAD & BONNET



Y00R6310 2. CYLINDER HEAD & BONNET

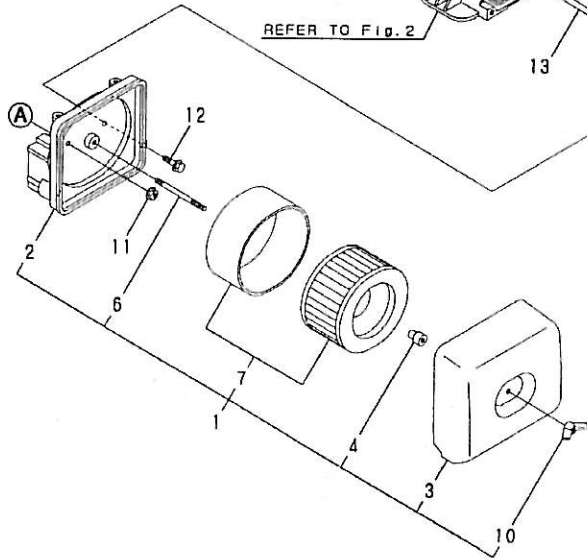
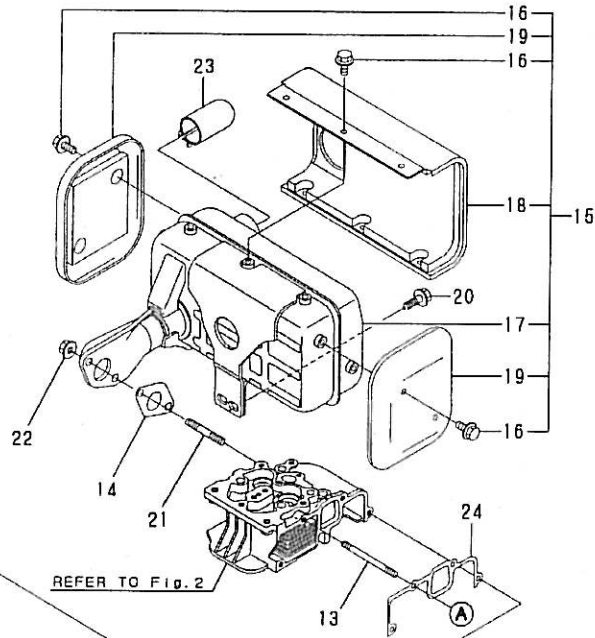
(A)=L100V6CA1T1A (D)=  
 (B)= (E)=  
 (C)= (F)=

REF.	LEV.	PARTS NO.	DESCRIPTION	Q'TY						I	R
				(A)	(B)	(C)	(D)	(E)	(F)		
1	1	114310-01200	BOLT, CYL.HEAD A		2						
2	1	114310-01210	BOLT, CYL.HEAD B		2						
3	1	114310-11020	HEAD ASSY, CYLINDER		1						
7	1	114310-11100	VALVE, INTAKE		1						
8	1	114310-11110	VALVE, EXHAUST		1						
9	1	114310-11120	SPRING, VALVE		2						
10	1	114310-11180	RETAINER, SPRING		2						
11	1	114310-11930	COTTER ASSY		2						
13	1	114210-11900	RETAINER, NOZZLE		1						
14	1	114310-11250	SUPPORT ASSY, ROCKER		1						
15	2	114310-11260	SUPPORT, ROCKER ARM		1						
16	2	114310-11280	C TYPE RETAINING RIN		2						
17	2	114310-11650	ARM ASSY, INTAKE		1						
19	3	114299-11240	SCREW, ADJUSTING		1						
20	3	26856-060002	LOCK NUT 6		1						
21	2	114310-11660	ARM ASSY, EXHAUST		1						
23	3	114299-11240	SCREW, ADJUSTING		1						
24	3	26856-060002	LOCK NUT 6		1						
25	1	114650-11340	SEAL, VALVE STEM		2						
26	1	104211-11370	CAP, VALVE		2						
27	1	114771-11461	GASKET, NOZZLE		1						
28	1	114295-11470	SPACER, NOZZLE		1						
29	1	114699-11600	WASHER		2						
30	1	22351-040008	SPRING PIN 4X 8		1						
31	1	26106-080502	BOLT M 8X 50 PLATED		2						
32	1	26226-060552	STUD M6X 55 PLATED		2						
33	1	26366-060002	NUT M 6		2						
34	1	114310-11310	GASKET, BONNET		1						
35	1	26106-060652	BOLT M 6X 65 PLATED		3						
36	1	114310-11950	BONNET ASSY, HEAD		1						
38	2	114210-03590	SHAFT ASSY, DECOMP.		1						
41	2	114299-03640	SPRING, DECOMP.		1						
43	2	22312-030160	PARALLEL PIN 3X16		1						

ig.3. AIR CLEANER & MUFFLER

Y00R6310 3. AIR CLEANER & MUFFLER

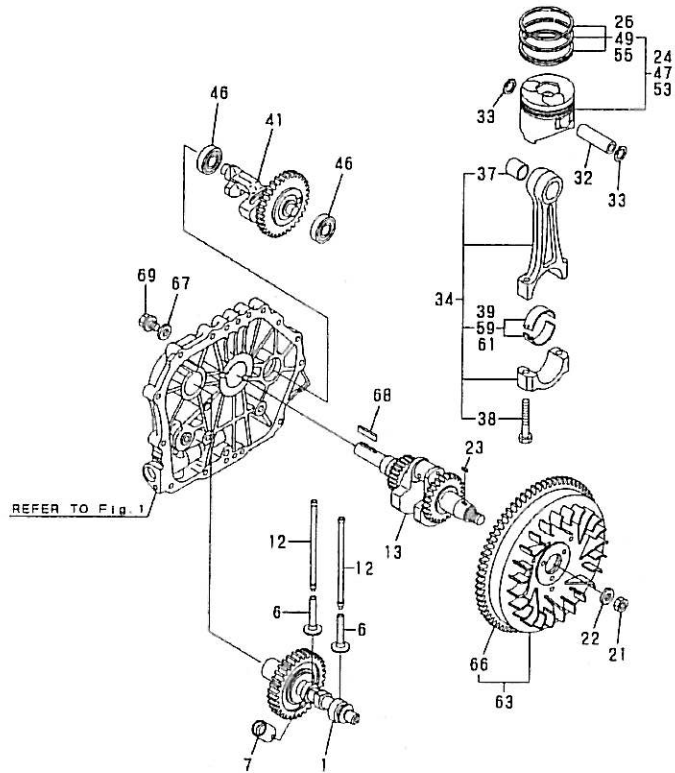
(A)=L100V6CA1T1A (D)=  
 (B)= (E)=  
 (C)= (F)=



REF.	LEV.	PARTS NO.	DESCRIPTION	QTY						I	R
				(A)	(B)	(C)	(D)	(E)	(F)		
1	1	114310-12510	CLEANER ASSY, AIR	1							
2	2	114310-12020	BODY, AIR CLEANER	1							
3	2	114210-12520	COVER, AIR CLEANER	1							
4	2	114210-12560	NUT, WING	1							
6	2	114210-12580	STUD BOLT	1							
7	2	114210-12590	ELEMENT ASSY	1							
10	2	114210-12600	KNOCKING KNOB	1							
11	1	114299-12300	U-NUT	3							
12	1	26106-060402	BOLT M 6X 40 PLATED	1							
13	1	26226-060352	STUD M 6X 35 PLATED	3							
14	1	114310-13200	GASKET, MUFFLER	1							
15	1	114699-13552	MUFFLER ASSY	1							
16	2	114699-13720	BOLT M6, FLANGE	10							
17	2	114699-13561	MUFFLER	1							
18	2	114699-13700	COVER A, MUFFLER	1							
19	2	114699-13710	COVER B, MUFFLER	2							
20	1	26106-080202	BOLT M 8X 20 PLATED	2							
21	1	26216-080182	STUD M 8X 18 PLATED	2							
22	1	26366-080002	NUT M 8	2							
23	1	114699-13800	EXTENSION, EXH.	1							
24	1	114310-12210	GASKET, AIR CLEANER	1							

#15 NEW # 114699-13552

Fig. 4. CRANKSHAFT,PISTON & CAMSHAFT



Y00R6310 4. CRANKSHAFT,PISTON & CAMSHAFT

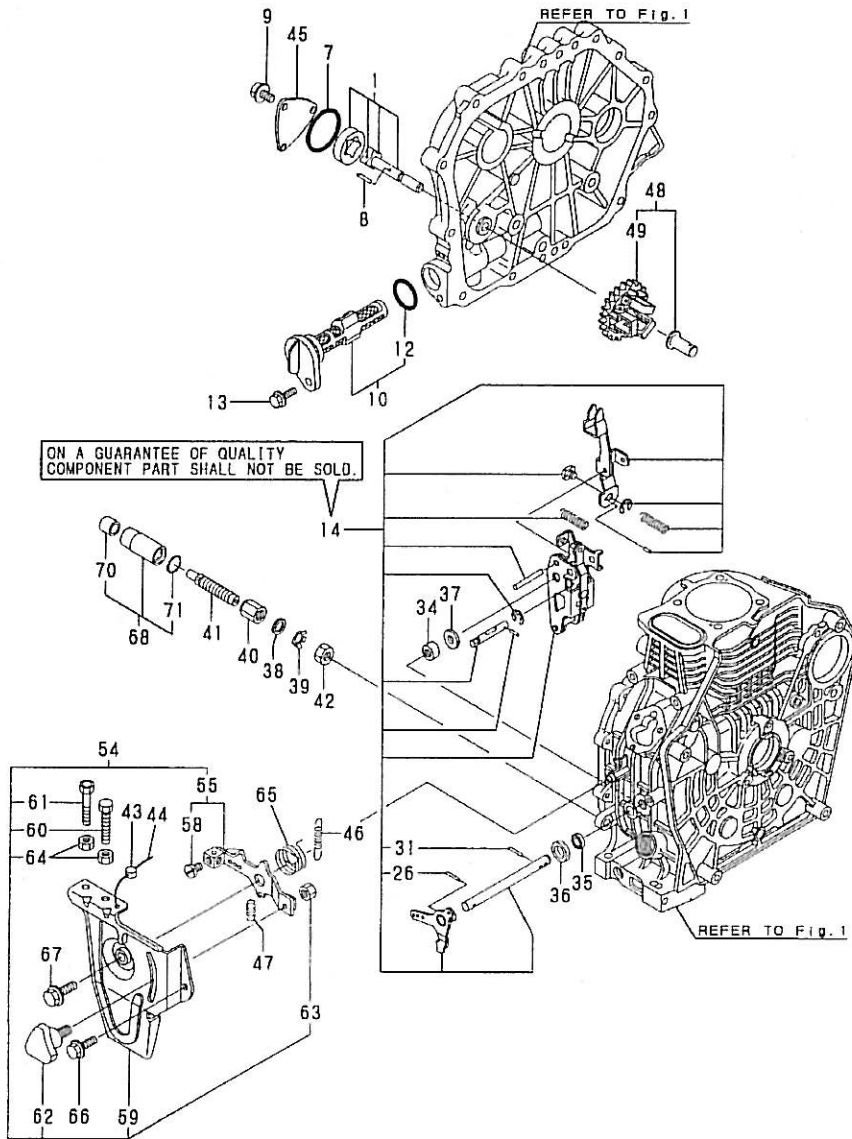
(A)=L100V6CA1T1A (D)=  
(B)= (E)=  
(C)= (F)=

REF.	LEV.	PARTS NO.	DESCRIPTION	Q'TY						I	R
				(A)	(B)	(C)	(D)	(E)	(F)		
1	1	714310-14580	CAMSHAFT ASSY	1							
6	1	114310-14200	TAPPET	2							
7	1	114210-14300	TAPPET ASSY, ROLLER	1							
12	1	114310-14400	ROD ASSY, PUSH	2							
13	1	714310-21700	CRANKSHAFT(E-D ASSY	1							
21	1	114699-21220	NUT	1							
22	1	114699-21550	WASHER, FLYWHEEL	1							
23	1	22512-050140	KEY 5X 14	1							
24	1	714310-22720	PISTON W/RINGS (D	1							
26	2	714310-22500	RING SET, PISTON	1							
32	1	114699-22300	PIN, PISTON D=23	1							
33	1	129792-22400	CIRCLIP 23	2							
34	1	714310-23700	ROD ASSY, CONNECTING	1							
37	2	124060-23100	BUSH, PISTON PIN	1							
38	2	119810-23200	BOLT, CONNECTING ROD	2							
39	2	714650-23600	BEARING, CRANKPIN	1							
41	1	714310-28510	SHAFT ASSY, BALANCER	1							
46	1	24101-063040	BALL BEARING	2							
47	1	714310-22620	PISTON WRING OS=.25	1							1
49	2	714310-22540	RING SET O.S=0.25	1							1
53	1	714310-22580	PISTON WRING OS=0.5	1							2
55	2	714310-22550	RING SET O.S=0.50	1							2
59	1	714650-23610	BEARING,PIN(U.S=0.25	1							3
61	1	714650-23620	BEARING,PIN(U.S=0.50	1							4
63	1	114699-21590	FLYWHEEL, DE ASSY	1							
66	2	114662-21601	GEAR, RING	1							
67	1	160842-21260	WASHER	1							
68	1	160842-21150	KEY 6.3X50	1							
69	1	160842-21250	BOLT 7/16-20UNF	1							

Remarks

- (1)OVER SIZED(O.S.=0.25)PART.
- (2)OVER SIZED(O.S.=0.50)PART.
- UNDER SIZED(U.S.=0.25)PART.
- UNDER SIZED(U.S.=0.50)PART.

ig.5. LUB.OIL PUMP & GOVERNOR



Y00R6310 5. LUB.OIL PUMP & GOVERNOR

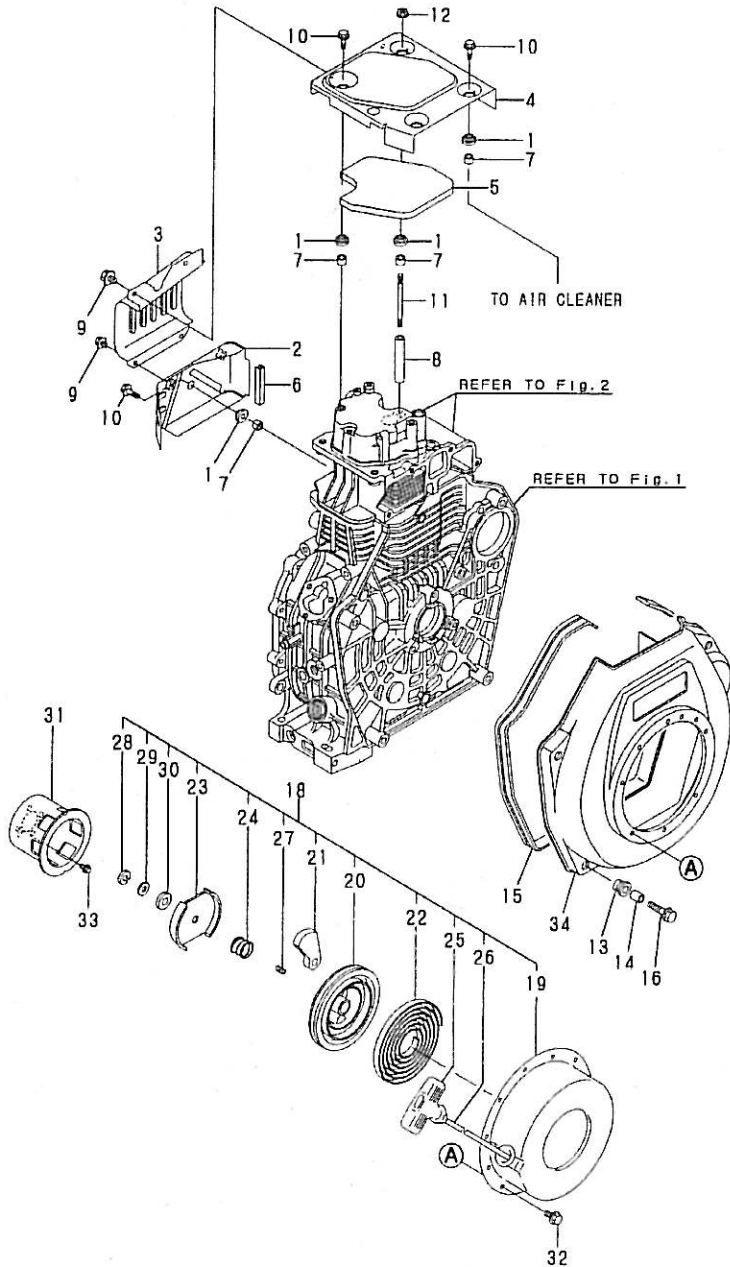
(A)=L100V6CA1T1A (D)=  
(B)= (E)=  
(C)= (F)=

REF.	LEV.	PARTS NO.	DESCRIPTION	Q'TY						I	R
				(A)	(B)	(C)	(D)	(E)	(F)		
1	1	114650-32010	PUMP ASSY, LUB.OIL	1							
7	1	114299-32570	O-RING, COVER	1							
8	1	22312-030160	PARALLEL PIN 3X16	1							
9	1	26106-060122	BOLT M 6X 12 PLATED	3							
10	1	114299-35110	FILTER CMP, LUB.OIL	1							
12	2	24341-000224	O-RING 1A S-22.4	1							
13	1	26106-060162	BOLT M 6X 16 PLATED	1							
14	1	114310-61500	LEVER ASSY, GOVERNOR	1							
26	2	22322-030200	TAPER PIN 3X20	1							
31	2	22322-030200	TAPER PIN 3X20	1							
34	1	114770-61520	BEARING, NEEDLE	2							
35	1	114299-61600	SEAL, OIL	1							
36	1	114770-61610	WASHER, THRUST	1							
37	1	114299-61190	WASHER, GOVERNOR	1							
38	1	114771-61810	WASHER, PLAIN 14	1							
39	1	114771-61830	PLATE	1							
40	1	114295-61940	NUT	1							
41	1	114771-66600	LIMITER ASSY, FUEL	1							
42	1	114771-66690	NUT M14	1							
43	1	135210-61090	LEAD	1							
44	1	22451-060000	WIRE 0.6	1							
45	1	114299-32070	COVER, LUB. OIL PUMP	1							
46	1	114310-66010	SPRING, REGULATOR	1							
47	1	114299-66200	SPRING, RETURN	1							
48	1	714210-61700	GOVERNOR ASSY	1							
49	2	114210-61290	WEIGHT ASSY, GOVERNOR	1							
54	1	114210-66500	SPEED CTRL, THAI	1							
55	2	114210-66060	HANDLE ASY, REGULATOR	1							
58	3	26117-050089	BOLT M 5X 8 PLATED	1							
59	2	114210-66100	BRACKET, REGULATOR	1							
60	2	114299-66440	BOLT, ADJUSTING	1							
61	2	114299-67080	BOLT, ADJUSTING	1							
62	2	160725-78350	KNOB (WM6X15)	1							
63	2	26347-060002	U-NUT M 6	1							
64	2	26757-060002	NUT M 6	2							
65	1	114299-66250	SPRING, RETURN	1							
66	1	26106-060142	BOLT M 6X 14 PLATED	1							
67	1	26106-060202	BOLT M 6X 20 PLATED	1							
68	1	114771-61890	PROTECTOR CMP	1							
70	2	114771-61960	SPACER	1							
71	2	24311-000180	O-RING 1A P-18.0	1							

Fig.6. COOLING & STARTING DEVICE

Y00R6310 6. COOLING & STARTING DEVICE

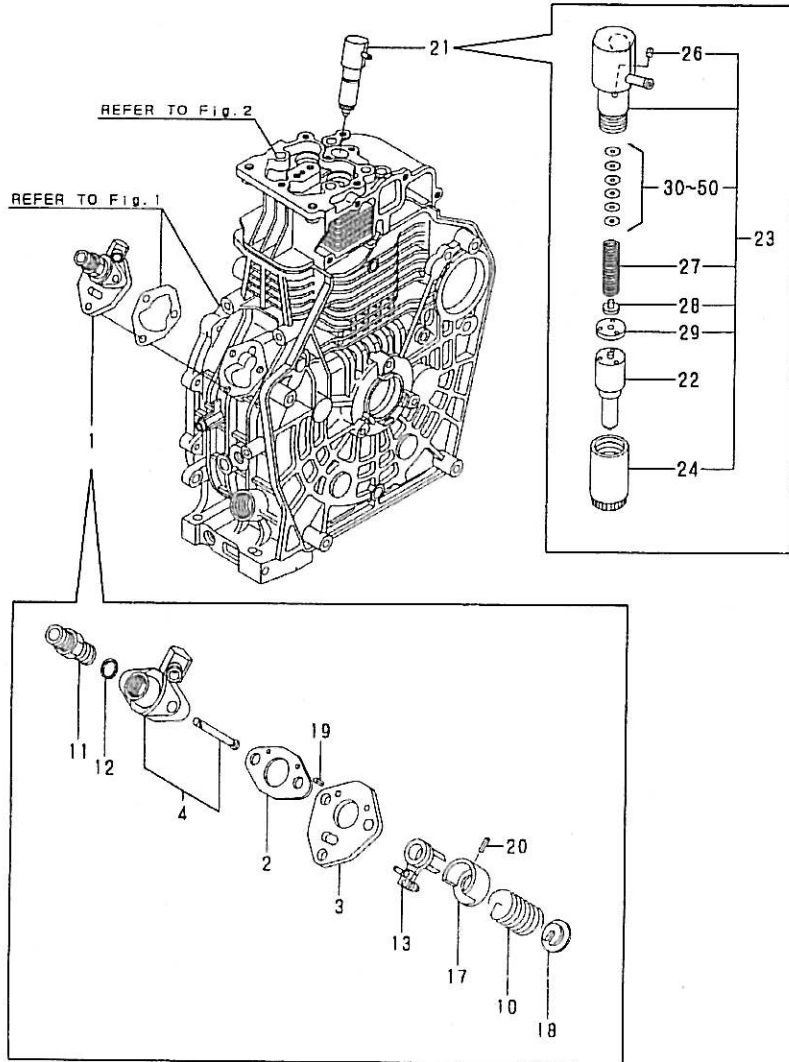
(A)=L100V6CA1T1A (D)=  
 (B)= (E)=  
 (C)= (F)=



REF.	LEV.	PARTS NO.	DESCRIPTION	QTY						I	R
				(A)	(B)	(C)	(D)	(E)	(F)		
1	1	114299-45220	GROMMET, TANK	5							
2	1	114310-45260	COVER B, SIDE (13)	1							
3	1	114310-45270	COVER A, SIDE (13)	1							
4	1	114310-45300	COVER, TOP(BLACK)(13)	1							
5	1	114310-45310	DAMPER	1							
6	1	114399-45320	RUBBER, SEAL	1							
7	1	114399-45340	COLLAR, CYL. COVER	5							
8	1	114310-45350	SPACER, TOP COVER	1							
9	1	26106-060082	BOLT M 6X 8 PLATED	4							
10	1	26106-060202	BOLT M 6X 20 PLATED	4							
11	1	26226-060752	STUD M 6X 75	1							
12	1	26366-060002	NUT M 6	1							
13	1	114299-45300	RUBBER, CUSHION	4							
14	1	114299-45310	COLLAR, FAN CASE	4							
15	1	114699-45330	SEAL, FAN CASE	1							
16	1	114299-45350	BOLT, FAN CASE	4							
18	1	114699-76251	RECOIL ASSY	1							
19	2	114699-76510	CASE, STARTER	1							
20	2	114699-76520	REEL, RECOIL	1							
21	2	114699-76531	RATCHET	2							
22	2	114699-76540	SPRING, SPIRAL	1							
23	2	114699-76551	GUIDE, RATCHET	1							
24	2	114699-76560	SPRING, FRICTION	1							
25	2	114699-76620	KNOB, STARTER	1							
26	2	114699-76630	ROPE, STARTER	1							
27	2	114699-76650	SPRING, RETURN	1							
28	2	114699-76660	RETAINING RING	1							
29	2	114699-76670	WASHER	1							
30	2	114699-76680	WASHER IN NYLON	1							
31	1	114699-76592	PULLEY, STARTER	1							
32	1	26106-060082	BOLT M 6X 8 PLATED	4							
33	1	26106-060122	BOLT M 6X 12 PLATED	3							
34	1	114310-45100	FAN CASE(SILVER)(17)	1							

#18 NEW # 114699-76592

ig.7. FUEL INJECTION PUMP & FUEL INJECTION VALVE

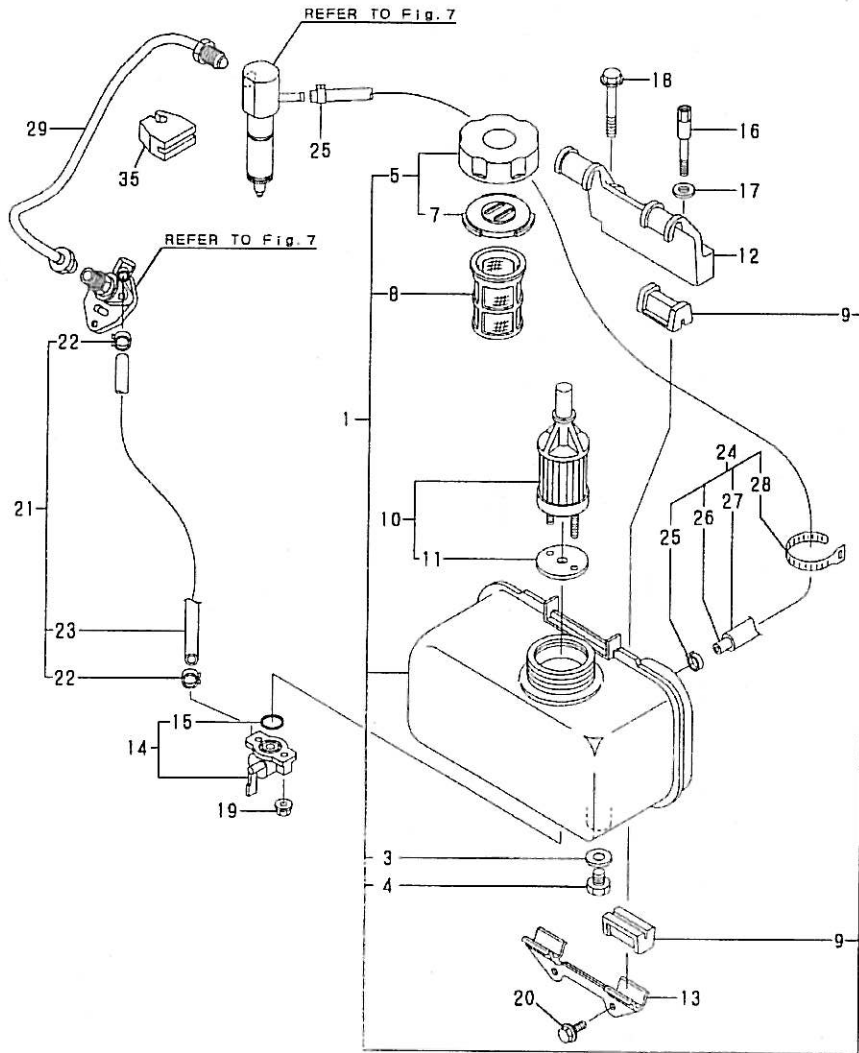


Y00R6310 7. FUEL INJECTION PUMP & FUEL INJECTION VALVE

(A)=L100V6CA1T1A (D)=  
 (B)= (E)=  
 (C)= (F)=

REF.	LEV.	PARTS NO.	DESCRIPTION	Q'TY						I	R
				(A)	(B)	(C)	(D)	(E)	(F)		
1	1	714310-51100	PUMP ASSY, F.INJECT.	1							
2	2	105546-51020	GASKET	1							
3	2	114250-51080	PLATE	1							
4	2	114310-51200	BODY, F. I. PUMP	1							
10	2	114250-51160	SPRING	1							
11	2	114210-51300	VALVE ASSY, DELIVERY	1							
12	2	124550-51350	GASKET, DELIVERY	1							
13	2	114250-51600	LEVER ASSY, CONTROL	1							
17	2	114250-51640	SEAT (A), SPRING	1							
18	2	114250-51650	SEAT (B), SPRING	1							
19	2	22351-020006	SPRING PIN 2X 6	2							
20	2	22351-030008	SPRING PIN 3X 8	1							
21	1	714310-53100	FUEL INJECTOR	1							
22	2	114310-53000	NOZZLE ASSY	1							
23	2	114210-53100	HOLDER ASSY,NOZZLE	1							
24	3	114210-53080	NUT,NOZZLE	1							
26	3	114210-53330	PIN	1							
27	3	114210-53120	SPRING,NOZZLE	1							
28	3	114210-53130	SEAT,SPRING	1							
29	3	114210-53140	SPACER ASSY,VALVE	1							
30	3	114210-53410	SHIM(T=1.00)	1							
31	3	114210-53420	SHIM(T=1.05)	1							
32	3	114210-53430	SHIM(T=1.10)	1							
33	3	114210-53440	SHIM(T=1.15)	1							
34	3	114210-53450	SHIM(T=1.20)	1							
35	3	114210-53460	SHIM(T=1.25)	1							
36	3	114210-53470	SHIM(T=1.30)	1							
37	3	114210-53480	SHIM(T=1.35)	1							
38	3	114210-53490	SHIM(T=1.40)	1							
39	3	114210-53500	SHIM(T=1.45)	1							
40	3	114210-53510	SHIM(T=1.50)	1							
41	3	114210-53520	SHIM(T=1.55)	1							
42	3	114210-53530	SHIM(T=1.60)	1							
43	3	114210-53540	SHIM(T=1.65)	1							
44	3	114210-53550	SHIM(T=1.70)	1							
45	3	114210-53560	SHIM(T=1.75)	1							
46	3	114210-53570	SHIM(T=1.80)	1							
47	3	114210-53580	SHIM(T=1.85)	1							
48	3	114210-53590	SHIM(T=1.90)	1							
49	3	114210-53600	SHIM(T=1.95)	1							
50	3	114210-53610	SHIM(T=2.00)	1							

ig.8. FUEL TANK & FUEL PIPE



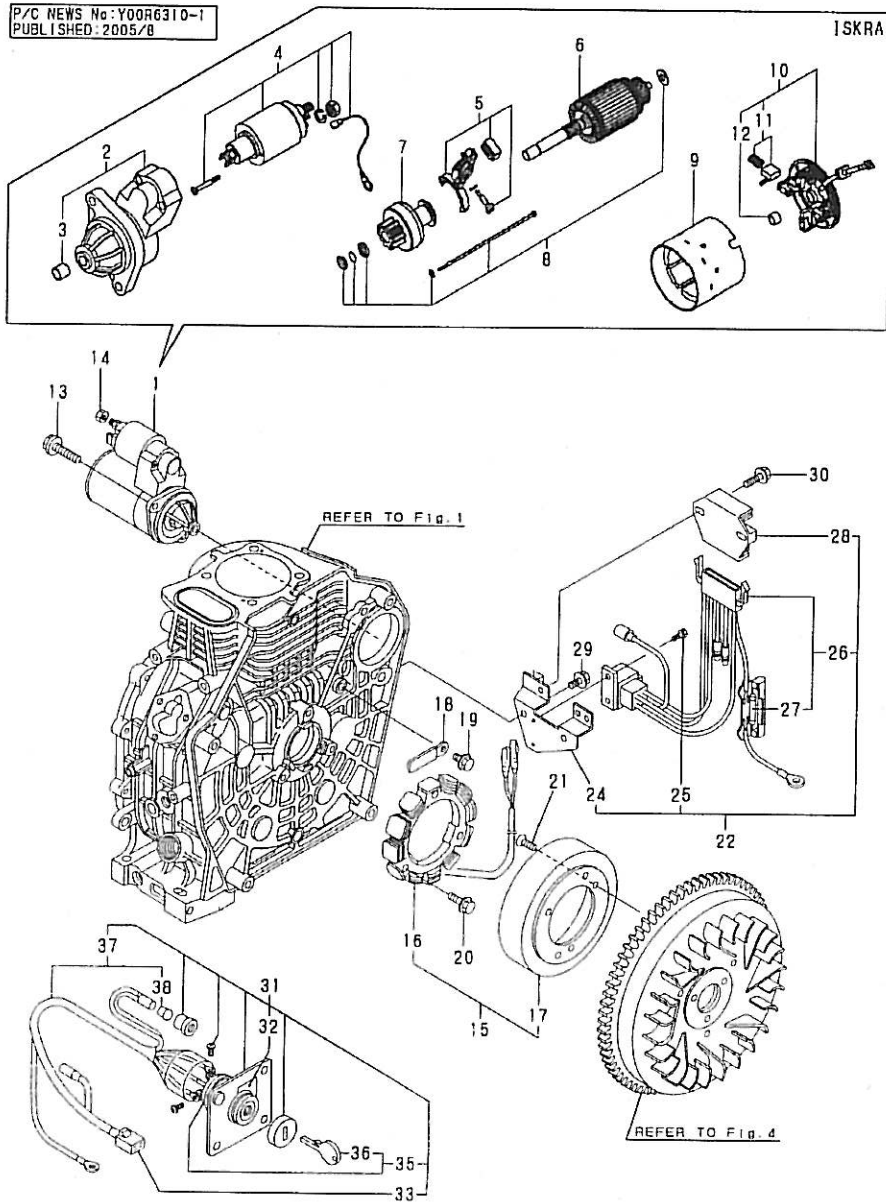
Y00R6310 8. FUEL TANK & FUEL PIPE

(A)=L100V6CA1T1A (D)=  
(B)= (E)=  
(C)= (F)=

REF.	LEV.	PARTS NO.	DESCRIPTION	Q'TY						I	R
				(A)	(B)	(C)	(D)	(E)	(F)		
1	1	714310-55700	TANK,FUEL(BLACK)(13)	1							
3	3	23414-080000	GASKET 8, ROUND	1							
4	3	105300-55080	PLUG, DRAIN	1							
5	2	114288-55041	CAP ASSY, FUEL TANK	1							
7	3	114288-55081	VALVE	1							
8	2	114299-55100	FILTER, FUEL OIL	1							
9	2	114250-55201	DAMPER, FUEL TANK	4							
10	1	114250-55121	FILTER, FUEL OIL	1							
11	2	114250-55130	GASKET	1							
12	1	114310-55230	STAY B, FUEL TANK	1							
13	1	114210-55210	STAY A, FUEL TANK	1							
14	1	114250-55301	COCK	1							
15	2	24341-000150	O-RING 1A S-15.0	1							
16	1	114210-55810	BOLT, LIFTING	1							
17	1	22117-080000	WASHER 8	1							
18	1	26106-080452	BOLT M 8X 45 PLATED	1							
19	1	26366-060002	NUT M 6	2							
20	1	26106-060162	BOLT M 6X 16 PLATED	2							
21	1	114770-59030	PIPE ASSY, FUEL OIL	1							
22	2	114270-59010	CLIP,HOSE	2							
23	2	114268-59061	PIPE, FUEL OIL	1							
24	1	114310-59300	PIPE ASSY, RETURN	1							
25	2	124722-59050	CLAMP 9	2							
26	2	114310-59060	PIPE, FUEL RETURN	1							
27	2	114310-59310	TUBE, PROTECTOR	1							
28	2	121750-59890	CLAMP 140	1							
29	1	114310-59800	PIPE, FUEL INJECTION	1							
35	1	114650-59850	BRACKET, PIPE	1							



ig.9. STARTING MOTOR & DYNAMO(PREVIOUS)



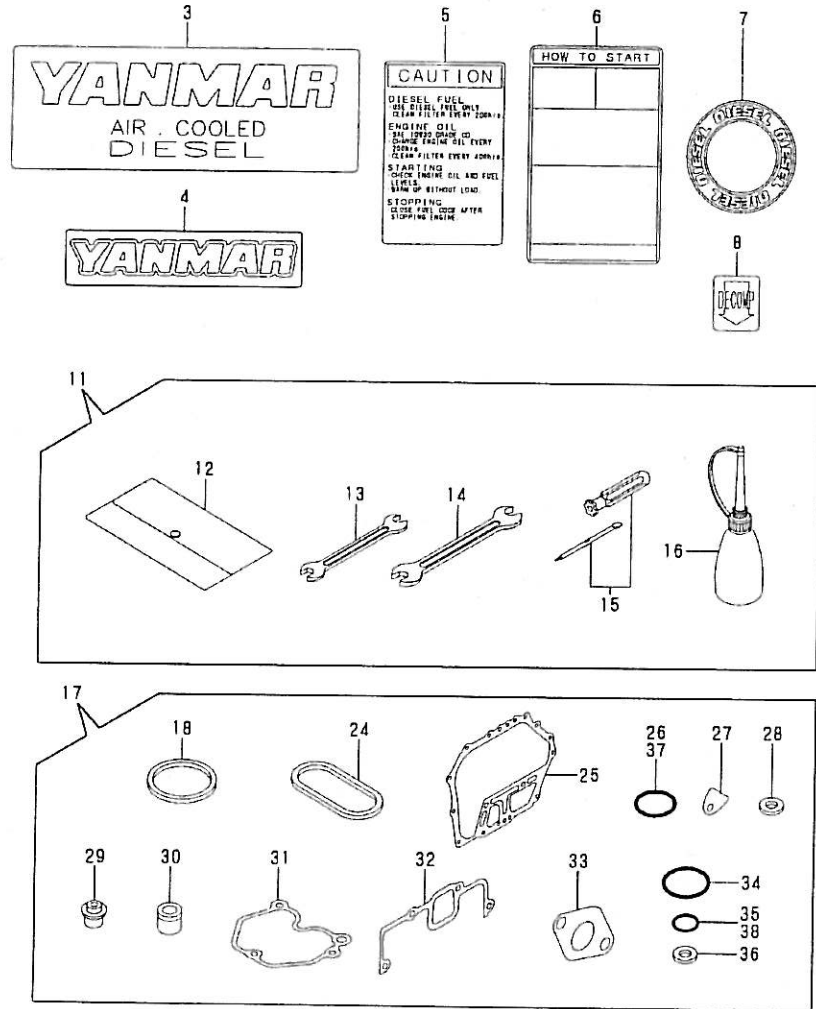
3rks  
PIECE SET

Y00R6310 9. STARTING MOTOR & DYNAMO(PREVIOUS)

(A)=L100V6CA1T1A (D)=  
(B)= (E)=  
(C)= (F)=

REF.	LEV	PARTS NO.	DESCRIPTION	Q'TY						I	R
				(A)	(B)	(C)	(D)	(E)	(F)		
1	1	114399-77010	STARTER(ISKRA 12V	1							
2	2	114399-77150	GEAR CASE ASSY	1							
3	3	114399-77030	BUSH	1							
4	2	114399-77060	MAGNETIC SWITCH ASSY	1							
5	2	114399-77180	SHIFT LEVER KIT	1							
6	2	114399-77110	ARMATURE ASSY	1							
7	2	114399-77040	PINION CLUTCH ASSY	1							
8	2	114399-77770	THROUGH BOLT ASSY	1							
9	2	114399-77130	YOKE ASSY	1							
10	2	114399-77140	REAR COVER ASSY	1							
11	3	114399-77160	BRUSH HOLDER ASSY	1							
12	3	114399-77050	BUSH	1							
13	1	26106-100302	BOLT M10X 30 PLATED	2							
14	1	26716-080002	NUT M 8	1							
15	1	114399-78260	DYNAMO ASSY	1							
16	2	114399-78730	STATOR ASSY	1							
17	2	114399-78740	WHEEL, DYNAMO	1							
18	1	160710-78710	CLAMP, CORD	1							
19	1	26106-060122	BOLT M 6X 12 PLATED	1							
20	1	26106-060202	BOLT M 6X 20 PLATED	3							
21	1	26577-060142	SCREW M 6X 14	3							
22	1	114399-77550	REG. & HARNESS ASSY	1							
24	3	114399-77400	BRACKET, HARNESS	1							
25	3	26023-040102	SCREW M 4X 10	2							
26	3	114399-77540	HARNESS, WIRE	1							
27	4	29411-200000	FUSE (20A),CARTRIDGE	2							
28	2	114399-77710	REGULATOR	1							
29	1	26106-060122	BOLT M 6X 12 PLATED	2							
30	1	26106-060202	BOLT M 6X 20 PLATED	2							
31	1	114351-77500	PANEL ASSY,KEYSWITCH	1							
32	2	105198-07120	LABEL, STARTER	1							
33	2	114351-77520	JOINT	1							
35	2	106100-77620	SWITCH, KEY	1							
36	3	106100-77630	KEY, STARTER	1							
37	2	114351-77700	HARNESS, WIRE	1							
38	3	29220-083200	BULB (12V/3.4W)	1							

ig.10. TOOL,LABEL & GASKET SET



Y00R6310 10. TOOL,LABEL & GASKET SET

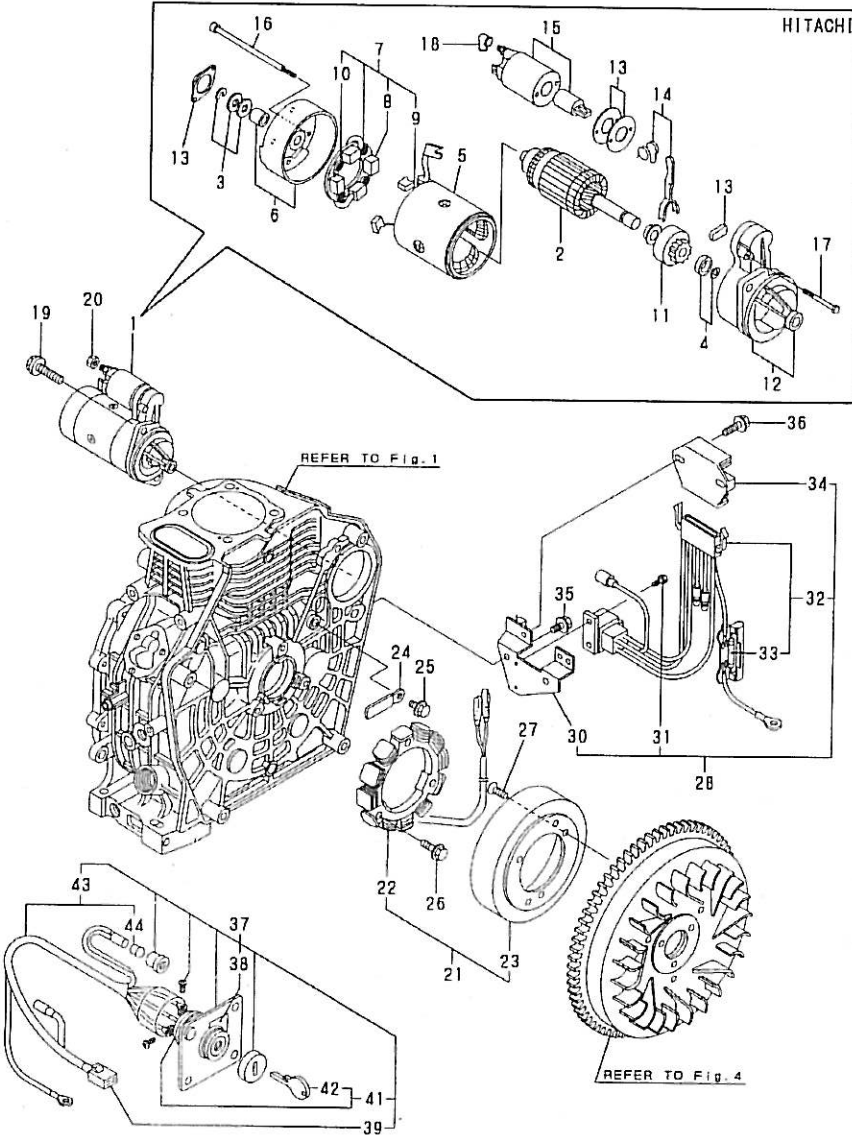
(A)=L100V6CA1T1A (D)=  
 (B)= (E)=  
 (C)= (F)=

REF.	LEV.	PARTS NO.	DESCRIPTION	QTY						I	R	
				(A)	(B)	(C)	(D)	(E)	(F)			
3	1	114299-07100	LABEL, AIR COOLED									
4	1	114299-07110	LABEL, YANMAR									
5	1	114210-07120	LABEL, CAUTION									
6	1	114210-07130	LABEL HOW TO START-E									
7	1	114299-07160	LABEL, DIESEL									
8	1	114210-07200	LABEL, DECOMPRESSION									
11	1	114299-92590	TOOL ASSY									
12	2	114299-92600	TOOL BAG									
13	2	114299-92710	SPANNA									
14	2	114299-92720	SPANNA									
15	2	114299-92730	DRIVER									
16	2	114299-92740	FITTING, FUEL									
17	1	714310-92600	GASKET SET(NON-ASB.)									1
18	2	114695-01330	GASKET ASSY,CYL.HEAD									
24	2	114699-01380	O-RING									
25	2	114699-01410	GASKET, CRANK CASE									
26	2	114299-01950	O-RING									
27	2	114250-01841	GASKET									
28	2	22190-160002	SEAL WASHER 16S									
29	2	114650-11340	SEAL, VALVE STEM									
30	2	114771-11461	GASKET, NOZZLE									
31	2	114310-11310	GASKET, BONNET									
32	2	114310-12210	GASKET, AIR CLEANER									
33	2	114310-13200	GASKET, MUFFLER									
34	2	114299-32570	O-RING, COVER									
35	2	24341-000100	O-RING 1A S-10.0									
36	2	23414-080000	GASKET 8, ROUND									
37	2	24341-000224	O-RING 1A S-22.4									
38	2	24341-000150	O-RING 1A S-15.0									

3rks  
 TIONAL

Fig. 11. (9A)STARTING MOTOR & DYNAMO(NEW)

P/C NEWS No: Y00R6310-1  
PUBLISHED: 2005/8



Y00R6310 11. (9A)STARTING MOTOR & DYNAMO(NEW)

(A)=L100V6CA1T1A (D)=  
(B)= (E)=  
(C)= (F)=

REF.	LEV.	PARTS NO.	DESCRIPTION	Q'TY						I	R		
				(A)	(B)	(C)	(D)	(E)	(F)				
1	1	114362-77011	STARTER(HITACHI 12V									1	
2	2	114381-77110	ARMATURE									1	
3	2	X2114811000	WASHER KIT, THRUST									1	
4	2	X2114715500	STOPPER SET, PINION									1	
5	2	114381-77130	COIL ASSY, FIELD									1	
6	2	114381-77140	COVER, REAR									1	
7	2	114371-77160	HOLDER ASSY, BRUSH									1	
8	3	114371-79040	BRUSH (-)									2	
9	3	114371-79050	BRUSH (+)									1	
10	3	114371-79060	SPRING, BRUSH									4	
11	2	X211485016	PINION ASSY									1	
12	2	114381-77151	HOUSING ASSY, GEAR									1	
13	2	114371-77170	COVER KIT, DUST									1	
14	2	114371-77180	SHIFT LEVER KIT									1	
15	2	124298-77020	SWITCH, MAGNET									1	
16	2	124195-77770	THROUGH BOLT									2	
17	2	114371-79070	BOLT M 6X 37									2	
18	2	X2114274200	COVER, TERMINAL									1	
19	1	26106-100302	BOLT M10X 30 PLATED									2	
20	1	26716-080002	NUT M 8									1	
21	1	114399-78260	DYNAMO ASSY									1	
22	2	114399-78730	STATOR ASSY									1	
23	2	114399-78740	WHEEL, DYNAMO									1	
24	1	160710-78710	CLAMP, CORD									1	
25	1	26106-060122	BOLT M 6X 12 PLATED									1	
26	1	26106-060202	BOLT M 6X 20 PLATED									3	
27	1	26577-060142	SCREW M 6X 14									3	
28	1	114399-77550	REG. & HARNESS ASSY									1	
30	3	114399-77400	BRACKET, HARNESS									1	
31	3	26023-040102	SCREW M 4X 10									2	
32	3	114399-77540	HARNESS, WIRE									1	
33	4	29411-200000	FUSE (20A),CARTRIDGE									2	
34	2	114399-77710	REGULATOR									1	
35	1	26106-060122	BOLT M 6X 12 PLATED									2	
36	1	26106-060202	BOLT M 6X 20 PLATED									2	
37	1	114351-77500	PANEL ASSY,KEYSWITCH									1	
38	2	105198-07120	LABEL, STARTER									1	
39	2	114351-77520	JOINT									1	
41	2	106100-77620	SWITCH, KEY									1	
42	3	106100-77630	KEY, STARTER									1	
43	2	114351-77700	HARNESS, WIRE									1	
44	3	29220-083200	BULB (12V/3.4W)									1	

Remarks  
MAKER CHANGED.  
JM ENGINE NO.M00178