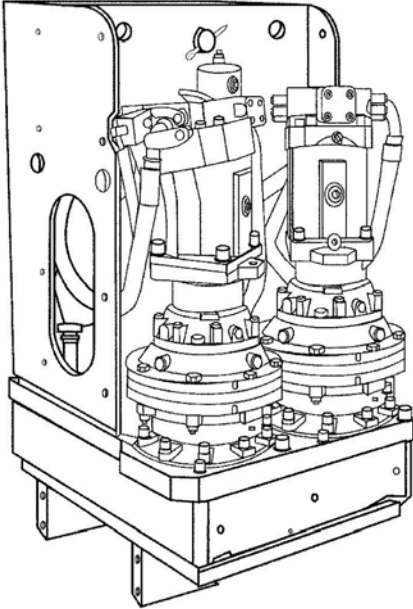




# The J&M Model 55AT + 315 Auto-Torque Top Drive Rotary Head

## Auto-Torque system maximizes drilling speed from top to bottom

- The most efficient and productive rotary head available in its torque class.
- Automatic torque-speed adjustment continually utilizes 100% of the available engine power to maximize both drilling speed and production.
- Two override modes include: 1) continuous full torque for hard rock drilling and 2) low speed operation for DTH and augercast operations.
- State of the art Chevron Clarity non-toxic and biodegradable hydraulic oil.
- Simple dual-motor design provides superior reliability and simplifies unit serviceability and maintenance.
- Pressure compensated hydraulic motors automatically adjust torque output to match soil conditions.
- Remote electric pendant control includes operational mode selection switches, engine speed control for fuel efficiency and emergency stop for personnel safety.
- Hollow output shaft accepts up to 6 inch diameter air or grout swivels.
- Highest efficiency Volvo piston pumps and Rexroth piston motors provide the maximum available hydraulic power transfer and horsepower efficiency.
- Open-loop hydraulic system provides jobsite condition reliability and ensures maximum efficiency, maximum reliability and simpler, quicker unit serviceability.
- Made in the USA by the industry's most technologically innovative manufacturer of rotary heads and foundation equipment since 1974.



### ROTARY HEAD

Maximum torque	55,000 ft-lbs (7600kg-m)
Maximum speed	85 rpm (85 rpm)
Maximum crowd force	80,000 lbs (36290 kg)
Rotary swivel ID (standard)	3 in (76 mm)
Rotary swivel ID (optional)	4 in (102 mm)
Height	52 in (1320 mm)
Width	26 in (660 mm)
Depth	38 in (965 mm)
Weight (without hoses)	4,400 lbs (1995 kg)
Hydraulic hose length	100 ft (30 m)
Hydraulic hose weight	500 lbs (225 kg)

### POWER UNIT

Engine	Caterpillar C9
Power	375 HP (280 kW)
Operating speed	2100 rpm
Drive pressure	5,000 psi (345 bar)
Drive flow	87 gpm (330 lpm)
Weight (w/ full fuel & fluid)	12,600 lbs (5715 kg)
Length	138 in (3505 mm)
Width	54 in (1353 mm)
Height	87 in (2210 mm)
Hydraulic reservoir	270 gal (1020 l)
Fuel capacity	110 gal (415 l)

### AVAILABLE ACCESSORIES

Lead adapters to fit any size of lead from 26 inch and above or spud guides to fit 14 inch H-beams.

Output shaft flange adapters to match your drill stem connection.

This unit is also available in dual-speed configuration. See Model 5050 for more information.

### APPLICATION NOTES

An appropriate shock-sub is recommended for DTH hammer applications.

### Corporate Office

7032 S. 196<sup>th</sup> Street  
Kent, WA 98032  
Phone: 800-248-8498  
Fax: 253-872-8710

<http://www.apevibro.com>



# The J&M Model 55AT + 315 Auto-Torque Top Drive Rotary Head

The most efficient and productive rotary head available in it's torque class.

Automatic torque-speed adjustment continually utilizes 100% of the available engine power to maximize both drilling speed and production.

## **Corporate Office**

7032 S. 196<sup>th</sup> Street  
Kent, WA 98032  
Phone: 800-248-8498  
Fax: 253-872-8710

<http://www.apevibro.com>