



SERVICE BULLETIN

VIBRATORY HAMMERS • POWER UNITS/AUGER SYSTEMS • DIESEL & HYDRAULIC HAMMERS
DRILL RIGS • HYDRAULIC PILING RIGS • WICK DRAIN INSTALLERS • LEAD SYSTEMS

Feb. 09, 2015

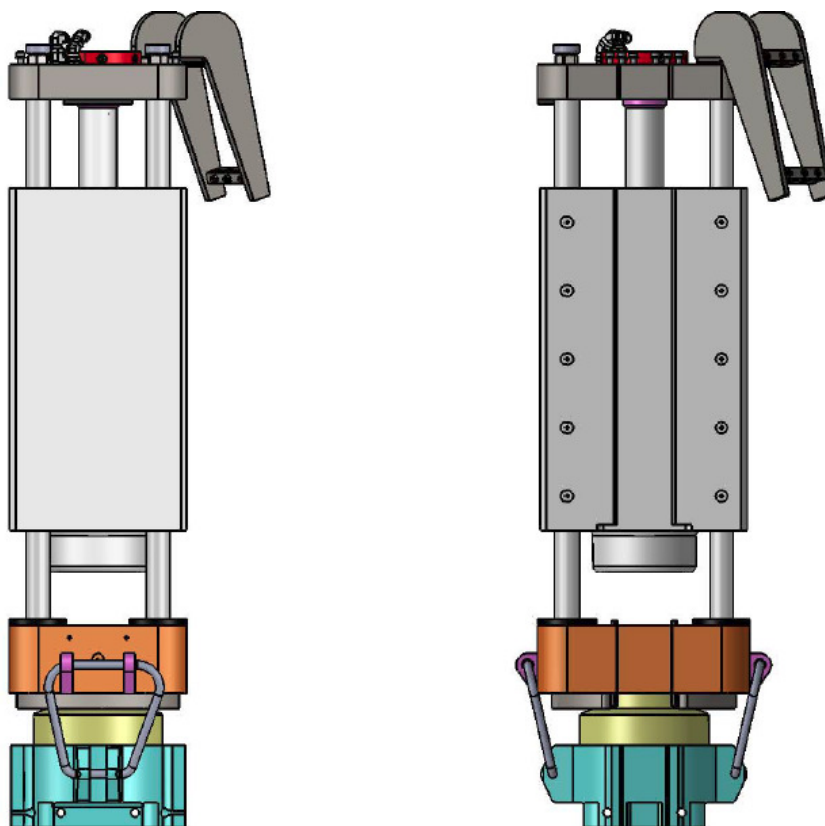


www.apevibro.com

www.jandm-usa.com

#13 Low Head Room Components And Explanation

This bulletin is to address the low head room H.I.H. hammers now being produced. These hammers have come a long way from the previous design. Inside of the columns there are cables to keep the top and bottom plates connected as an assembly. These are stretched when installed to the desired preload. The H.I.H.'s come in these sizes as of now; 5-2, 6-2, 7-3, 8-3 8-4, and a 10-4. The first part of the description is the ram weight in tons; the second part is the stroke. **(Example 5-2) 5 ton ram with a 2 foot stroke.**



This is a model of the hammer ready to drive pile less the pile insert. I would like to go from top to bottom to assist with being able to achieve a functional set up for APE's customers.

APE HEADQUARTERS

7032 S 196TH STREET
KENT, WA 98032
(800) 248-8498 • (253) 872-0141
FAX (253) 872-8710

NORTHEAST REGIONAL OFFICE

401 HARTLE ST.
SAYREVILLE, NJ 08872
(888) 217-7524 • (732) 432-6604
FAX (732) 432-6608

APE CHINA

BUILDING No. 233, FU QIAO ROAD
GU CUN INDUSTRIAL ZONE BAOSHAN DISTRICT
SHANGHAI, CHINA 201906
011-86-21-5677-1221
FAX 011-86-21-3604-0553

LOUISIANA REGIONAL OFFICE

39266 A DOYLE DRIVE
GONZALES, LA 70737
(225) 644-7722
FAX (225) 644-7626

GULF REGIONAL OFFICE

3975 FM Hwy 1485
CONROE, TX 77306
(800) 596-2877 • (936) 271-1044
FAX (936) 271-1046

MID-ATLANTIC REGIONAL OFFICE

500 NEWTON ROAD, #200
VIRGINIA BEACH, VA 23462
(866) 399-7500 • (757) 518-9740
FAX (757) 518-9741

SOUTHEAST REGIONAL OFFICE

1345 INDUSTRIAL PARK ROAD
MULBERRY, FL 33860
(800) 570-3844 • (863) 324-0378
FAX (863) 318-9409

MID-WESTERN REGIONAL OFFICE

50 GERBER INDUSTRIAL DR.
ST. PETERS, MO 63376
(877) 296-8044 • (636) 397-8400
FAX (636) 278-4278

WESTERN REGIONAL OFFICE

2985 LOOMIS ROAD
STOCKTON, CA 95205
(888) 245-4401 • (209) 942-2166
FAX (209) 942-2455



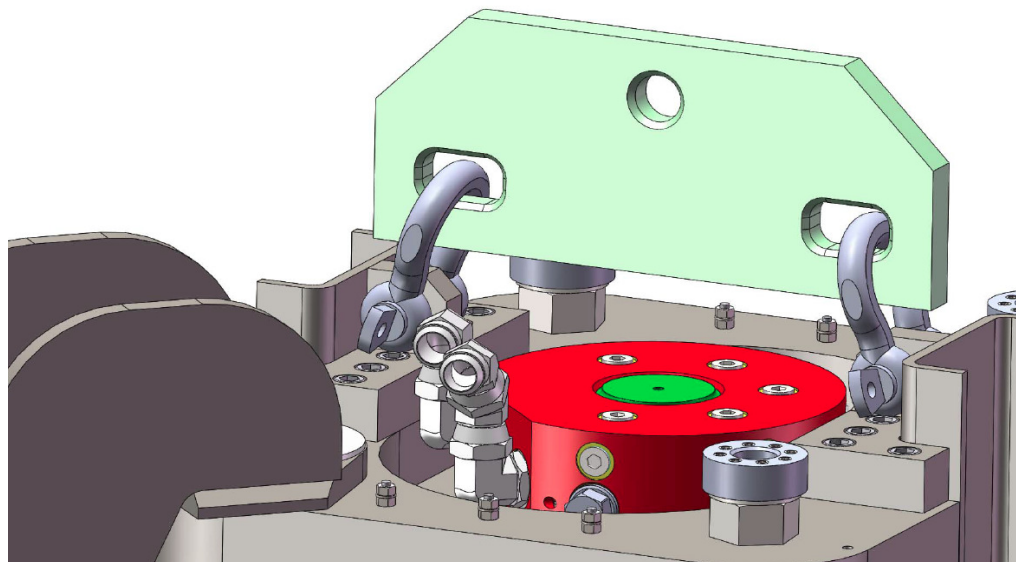
www.apevibro.com

SERVICE BULLETIN

VIBRATORY HAMMERS • POWER UNITS AUGER SYSTEMS • DIESEL & HYDRAULIC HAMMERS
DRILL RIGS • HYDRAULIC PILING RIGS • WICK DRAIN INSTALLERS • LEAD SYSTEMS



www.jandm-usa.com



Here you can see in green the optional lifting plate, this is to assist with single point lifting. The shackles need to be rated at 12 tons, they also need to be safety shackles meaning having a nut and cotter pin to retain it. (Below)

P/N 1001979 Lifting Plate



Safety Shackle

APE HEADQUARTERS

7032 S 196TH STREET
KENT, WA 98032
(800) 248-8498 • (253) 872-0141
FAX (253) 872-8710

NORTHEAST REGIONAL OFFICE

401 HARTLE ST.
SAYREVILLE, NJ 08872
(888) 217-7524 • (732) 432-6604
FAX (732) 432-6608

APE CHINA

BUILDING NO. 233, FU QIAO ROAD
GU CUN INDUSTRIAL ZONE BAOSHAN DISTRICT
SHANGHAI, CHINA 201906
011-86-21-5677-1221
FAX 011-86-21-3604-0553

LOUISIANA REGIONAL OFFICE

39266 A DOYLE DRIVE
GONZALES, LA 70737
(225) 644-7722
FAX (225) 644-7626

GULF REGIONAL OFFICE

3975 FM HWY 1485
CONROE, TX 77306
(800) 596-2877 • (936) 271-1044
FAX (936) 271-1046

MID-ATLANTIC REGIONAL OFFICE

500 NEWTON ROAD, #200
VIRGINIA BEACH, VA 23462
(866) 399-7500 • (757) 518-9740
FAX (757) 518-9741

SOUTHEAST REGIONAL OFFICE

1345 INDUSTRIAL PARK ROAD
MULBERRY, FL 33860
(800) 570-3844 • (863) 324-0378
FAX (863) 318-9409

MID-WESTERN REGIONAL OFFICE

50 GERBER INDUSTRIAL DR.
ST. PETERS, MO 63376
(877) 296-8044 • (636) 397-8400
FAX (636) 278-4278

WESTERN REGIONAL OFFICE

2985 LOOMIS ROAD
STOCKTON, CA 95205
(888) 245-4401 • (209) 942-2166
FAX (209) 942-2455



SERVICE BULLETIN

VIBRATORY HAMMERS • POWER UNITS AUGER SYSTEMS • DIESEL & HYDRAULIC HAMMERS
DRILL RIGS • HYDRAULIC PILING RIGS • WICK DRAIN INSTALLERS • LEAD SYSTEMS



www.apevibro.com

www.jandm-usa.com

The APE Low Head Room HIH has been redesigned to use a two piece striker plate/anvil shown in Fig 1. This has increased the height of the assembly. This can prevent the hammer from being used as the low head room capabilities we need. We have a new option that decreases the height. As shown in Fig 2 we remove 14 of the 18 bolts holding the anvil retainers, add the new 1 inch thick guide plate with longer bolts. The new guide plate has a 3 inch hole in the center to aid in burning out any custom shape to match the pile being used. The striker plate will still be used as shown in Fig 3 so the ram point will not be in direct contact with the pile.

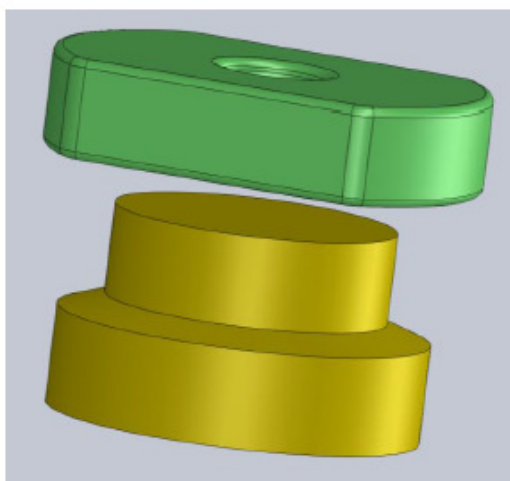


Fig 1

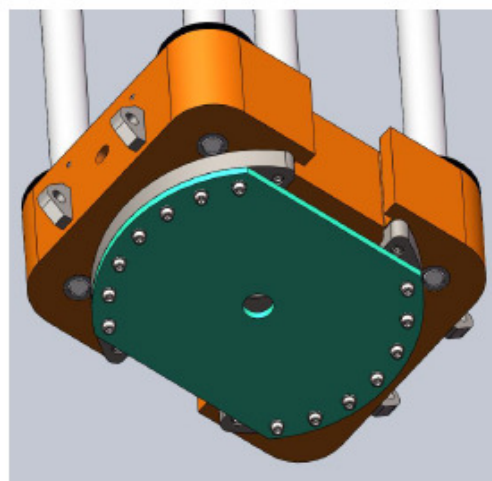


Fig 2

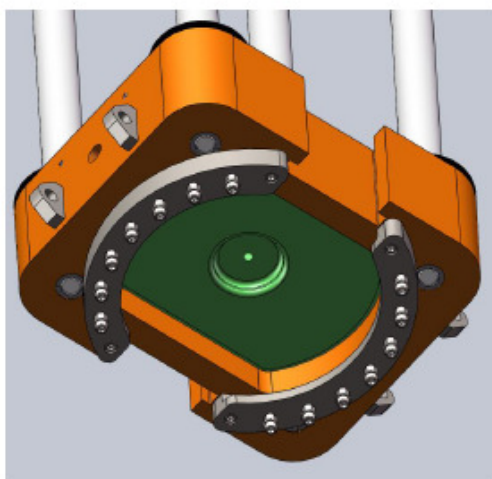


Fig 3

APE HEADQUARTERS

7032 S 196TH STREET
KENT, WA 98032
(800) 248-8498 • (253) 872-0141
FAX (253) 872-8710

NORTHEAST REGIONAL OFFICE

401 HARTLE ST.
SAYREVILLE, NJ 08872
(888) 217-7524 • (732) 432-6604
FAX (732) 432-6608

APE CHINA

BUILDING No. 233, FU QIAO ROAD
GU CUN INDUSTRIAL ZONE BAOSHAN DISTRICT
SHANGHAI, CHINA 201906
011-86-21-5677-1221
FAX 011-86-21-3604-0553

LOUISIANA REGIONAL OFFICE

39266 A DOYLE DRIVE
GONZALES, LA 70737
(225) 644-7722
FAX (225) 644-7626

GULF REGIONAL OFFICE

3975 FM Hwy 1485
CONROE, TX 77306
(800) 596-2877 • (936) 271-1044
FAX (936) 271-1046

MID-ATLANTIC REGIONAL OFFICE

500 NEWTON ROAD, #200
VIRGINIA BEACH, VA 23462
(866) 399-7500 • (757) 518-9740
FAX (757) 518-9741

SOUTHEAST REGIONAL OFFICE

1345 INDUSTRIAL PARK ROAD
MULBERRY, FL 33860
(800) 570-3844 • (863) 324-0378
FAX (863) 318-9409

MID-WESTERN REGIONAL OFFICE

50 GERBER INDUSTRIAL DR.
ST. PETERS, MO 63376
(877) 296-8044 • (636) 397-8400
FAX (636) 278-4278

WESTERN REGIONAL OFFICE

2985 LOOMIS ROAD
STOCKTON, CA 95205
(888) 245-4401 • (209) 942-2166
FAX (209) 942-2455



SERVICE BULLETIN

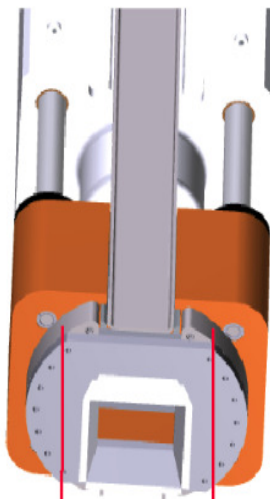
VIBRATORY HAMMERS • POWER UNITS AUGER SYSTEMS • DIESEL & HYDRAULIC HAMMERS
DRILL RIGS • HYDRAULIC PILING RIGS • WICK DRAIN INSTALLERS • LEAD SYSTEMS



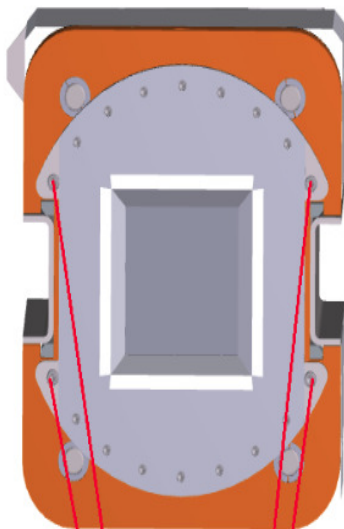
www.apevibro.com

www.jandm-usa.com

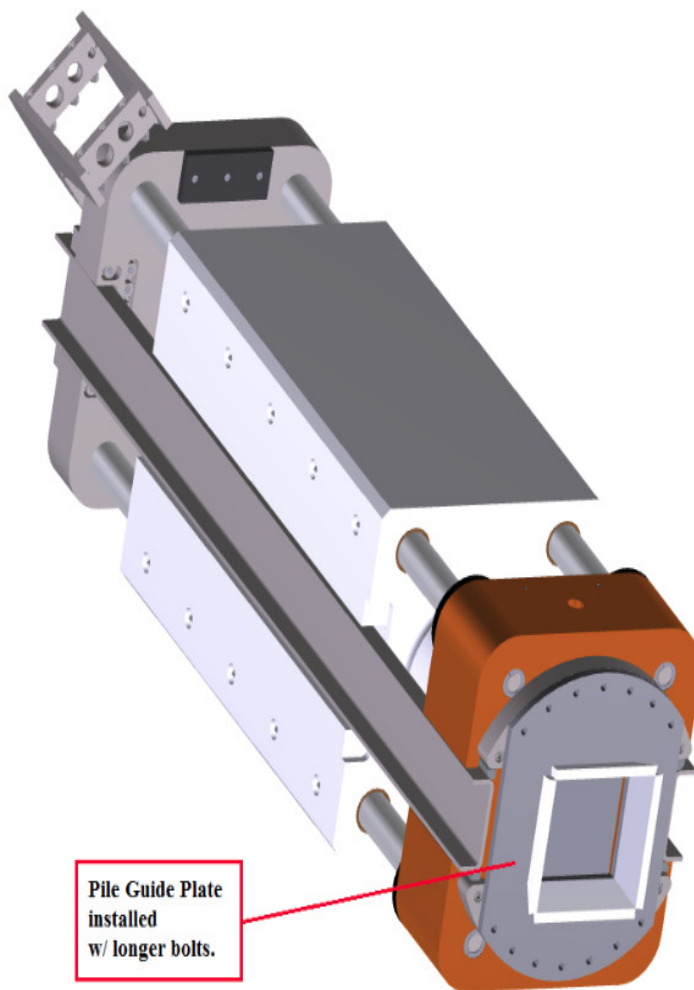
P/N	481361	Striker Plate (Green)
P/N	481363	HIH Striker Plate DB26 (Yellow)
P/N	1000377	Low Head Guide Plate (Blue)
QTY.	14	SHCS 3/4 -10 X 5" These retain the Low Head Guide Plate (Blue)



When installing the pile guide plate on the bottom of the APE hydraulic impact hammers the anvil retainers will stay attached.



These 4 bolts stay in the bottom of the hammer to hold the anvil retainers in position. The other bolts get removed and replaced with longer bolts to secure the pile guide



Pile Guide Plate installed w/ longer bolts.

APE HEADQUARTERS
7032 S 196TH STREET
KENT, WA 98032
(800) 248-8498 • (253) 872-0141
Fax (253) 872-8710

NORTHEAST REGIONAL OFFICE
401 HARTLE ST.
SAYREVILLE, NJ 08872
(888) 217-7524 • (732) 432-6604
Fax (732) 432-6608

APE CHINA
BUILDING No. 233, FU QIAO ROAD
GU CUN INDUSTRIAL ZONE BAOSHAN DISTRICT
SHANGHAI, CHINA 201906
011-86-21-5677-1221
Fax 011-86-21-3604-0553

LOUISIANA REGIONAL OFFICE
39266 A DOYLE DRIVE
GONZALES, LA 70737
(225) 644-7722
Fax (225) 644-7626

GULF REGIONAL OFFICE
3975 FM Hwy 1485
CONROE, TX 77306
(800) 596-2877 • (936) 271-1044
Fax (936) 271-1046

MID-ATLANTIC REGIONAL OFFICE
500 NEWTON ROAD, #200
VIRGINIA BEACH, VA 23462
(866) 399-7500 • (757) 518-9740
Fax (757) 518-9741

SOUTHEAST REGIONAL OFFICE
1345 INDUSTRIAL PARK ROAD
MULBERRY, FL 33860
(800) 570-3844 • (863) 324-0378
Fax (863) 318-9409

MID-WESTERN REGIONAL OFFICE
50 GERBER INDUSTRIAL DR.
ST. PETERS, MO 63376
(877) 296-8044 • (636) 397-8400
Fax (636) 278-4278

WESTERN REGIONAL OFFICE
2985 LOOMIS ROAD
STOCKTON, CA 95205
(888) 245-4401 • (209) 942-2166
Fax (209) 942-2455



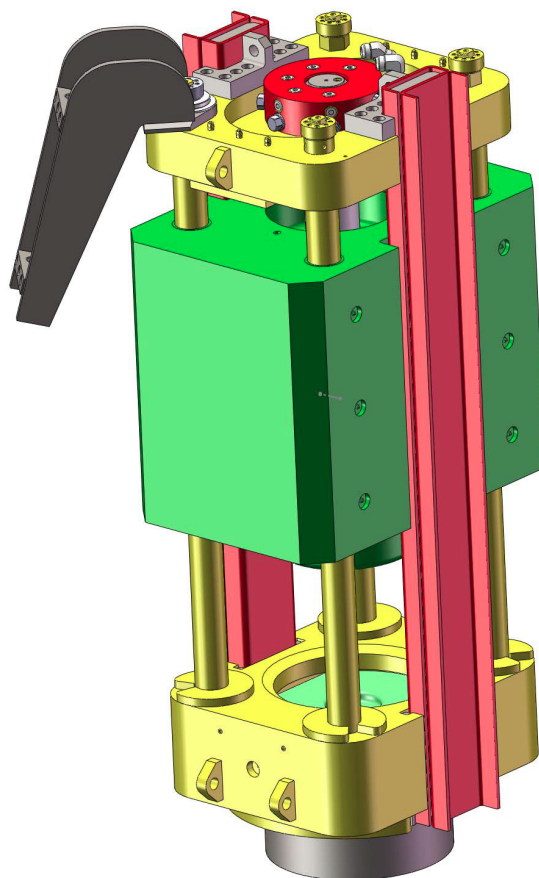
www.apevibro.com

SERVICE BULLETIN

VIBRATORY HAMMERS • POWER UNITS AUGER SYSTEMS • DIESEL & HYDRAULIC HAMMERS
DRILL RIGS • HYDRAULIC PILING RIGS • WICK DRAIN INSTALLERS • LEAD SYSTEMS



www.jandm-usa.com



Here is an example of a 6-2 with 32" lead guides. The 32" guides are available in the dash 3 and 4 series also.

APE HEADQUARTERS

7032 S 196TH STREET
KENT, WA 98032
(800) 248-8498 • (253) 872-0141
FAX (253) 872-8710

NORTHEAST REGIONAL OFFICE

401 HARTLE ST.
SAYREVILLE, NJ 08872
(888) 217-7524 • (732) 432-6604
FAX (732) 432-6608

APE CHINA

BUILDING No. 233, FU QIAO ROAD
GU CUN INDUSTRIAL ZONE BAOSHAN DISTRICT
SHANGHAI, CHINA 201906
011-86-21-5677-1221
FAX 011-86-21-3604-0553

LOUISIANA REGIONAL OFFICE

39266 A DOYLE DRIVE
GONZALES, LA 70737
(225) 644-7722
FAX (225) 644-7626

GULF REGIONAL OFFICE

3975 FM Hwy 1485
CONROE, TX 77306
(800) 596-2877 • (936) 271-1044
FAX (936) 271-1046

MID-ATLANTIC REGIONAL OFFICE

500 NEWTON ROAD, #200
VIRGINIA BEACH, VA 23462
(866) 399-7500 • (757) 518-9740
FAX (757) 518-9741

SOUTHEAST REGIONAL OFFICE

1345 INDUSTRIAL PARK ROAD
MULBERRY, FL 33860
(800) 570-3844 • (863) 324-0378
FAX (863) 318-9409

MID-WESTERN REGIONAL OFFICE

50 GERBER INDUSTRIAL DR.
ST. PETERS, MO 63376
(877) 296-8044 • (636) 397-8400
FAX (636) 278-4278

WESTERN REGIONAL OFFICE

2985 LOOMIS ROAD
STOCKTON, CA 95205
(888) 245-4401 • (209) 942-2166
FAX (209) 942-2455