



www.apevibro.com

SERVICE BULLETIN

VIBRATORY HAMMERS • POWER UNITS/AUGER SYSTEMS • DIESEL & HYDRAULIC HAMMERS
DRILL RIGS • HYDRAULIC PILING RIGS • WICK DRAIN INSTALLERS • LEAD SYSTEMS

Dec. 19, 2014



www.jandm-usa.com

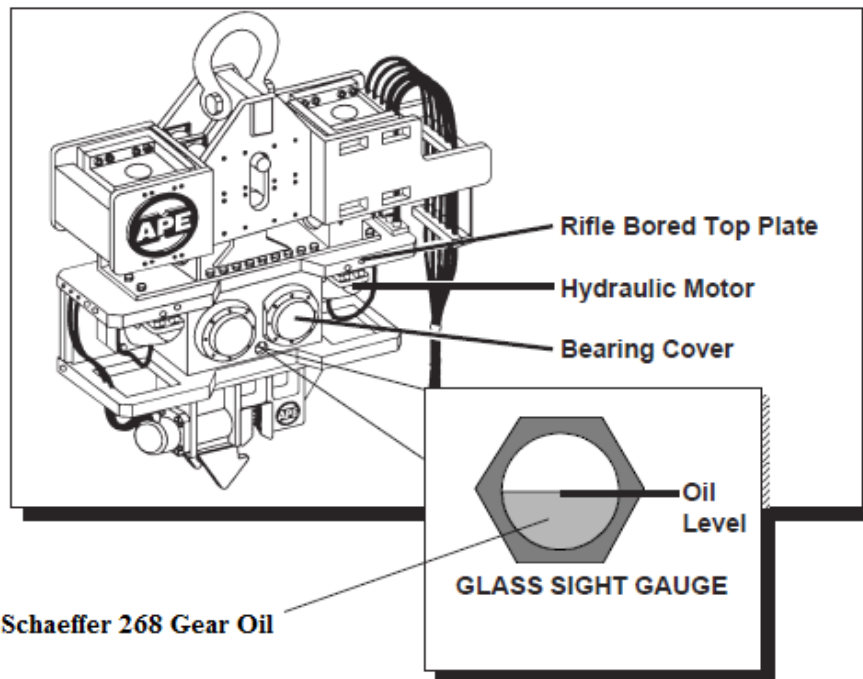
#7 Maintenance Intervals and Lubes

Vibro gear box service:

Change gear oil every 75 hours of vibro operation.

(Vibro Hour meter is located behind the control panel door)

Fill with Schaeffer 268 Gear Oil to show ½ of the sight gauge.



Pump Drive Service:

Oil in the Pump drive adapter should be changed every 1000 engine hours or every six months whichever comes first. (Hour meter located on the front of control panel)

APE HEADQUARTERS
7032 S 196TH STREET
KENT, WA 98032
(800) 248-8498 • (253) 872-0141
Fax (253) 872-8710

NORTHEAST REGIONAL OFFICE
401 HARTLE ST.
SAYREVILLE, NJ 08872
(888) 217-7524 • (732) 432-6604
Fax (732) 432-6608

APE CHINA
BUILDING No. 233, FU QIAO ROAD
GU CUN INDUSTRIAL ZONE BAOSHAN DISTRICT
SHANGHAI, CHINA 201906
011-86-21-5677-1221
Fax 011-86-21-3604-0553

LOUISIANA REGIONAL OFFICE
39266 A DOYLE DRIVE
GONZALES, LA 70737
(225) 644-7722
Fax (225) 644-7626

GULF REGIONAL OFFICE
3975 FM Hwy 1485
CONROE, TX 77306
(800) 596-2877 • (936) 271-1044
Fax (936) 271-1046

MID-ATLANTIC REGIONAL OFFICE
500 NEWTON ROAD, #200
VIRGINIA BEACH, VA 23462
(866) 399-7500 • (757) 518-9740
Fax (757) 518-9741

SOUTHEAST REGIONAL OFFICE
1345 INDUSTRIAL PARK ROAD
MULBERRY, FL 33860
(800) 570-3844 • (863) 324-0378
Fax (863) 318-9409

MID-WESTERN REGIONAL OFFICE
50 GERBER INDUSTRIAL DR.
ST. PETERS, MO 63376
(877) 296-8044 • (636) 397-8400
Fax (636) 278-4278

WESTERN REGIONAL OFFICE
2985 LOOMIS ROAD
STOCKTON, CA 95205
(888) 245-4401 • (209) 942-2166
Fax (209) 942-2455



www.apevibro.com

SERVICE BULLETIN

VIBRATORY HAMMERS • POWER UNITS/AUGER SYSTEMS • DIESEL & HYDRAULIC HAMMERS
DRILL RIGS • HYDRAULIC PILING RIGS • WICK DRAIN INSTALLERS • LEAD SYSTEMS



www.jandm-usa.com

Engine Oil Service:

Change engine oil and filters every 250 hours of operation.

(Hour meter located on the front of control panel)

Use the engine mfg requirement of API service Classification oil.

Use approved oil filters from Caterpillar or Cummins.

Hydraulic Oil Service:

The hydraulic oil should be serviced by filtration to meet ISO code 17/15/ 12 at all times.

The hydraulic oil should be tested once a year. The hydraulic oil tank should be drained and cleaned once the oil test result states oil is unfit to be used.

New power units and APE rental units have Terresolve EnviroLogic vegetable hydraulic oil.

Fuel Tank Service:

The fuel tank should be drained and flushed clean as needed once a year. Based on service technicians recommendation.

Use only Diesel #2 Fuel.

APE HEADQUARTERS
7032 S 196TH STREET
KENT, WA 98032
(800) 248-8498 • (253) 872-0141
FAX (253) 872-8710

NORTHEAST REGIONAL OFFICE
401 HARTLE ST.
SAYREVILLE, NJ 08872
(888) 217-7524 • (732) 432-6604
FAX (732) 432-6608

APE CHINA
BUILDING No. 233, FU QIAO ROAD
GU CUN INDUSTRIAL ZONE BAOSHAN DISTRICT
SHANGHAI, CHINA 201906
011-86-21-5677-1221
FAX 011-86-21-3604-0553

LOUISIANA REGIONAL OFFICE
39266 A DOYLE DRIVE
GONZALES, LA 70737
(225) 644-7722
FAX (225) 644-7626

GULF REGIONAL OFFICE
3975 FM Hwy 1485
CONROE, TX 77306
(800) 596-2877 • (936) 271-1044
FAX (936) 271-1046

MID-ATLANTIC REGIONAL OFFICE
500 NEWTON ROAD, #200
VIRGINIA BEACH, VA 23462
(866) 399-7500 • (757) 518-9740
FAX (757) 518-9741

SOUTHEAST REGIONAL OFFICE
1345 INDUSTRIAL PARK ROAD
MULBERRY, FL 33860
(800) 570-3844 • (863) 324-0378
FAX (863) 318-9409

MID-WESTERN REGIONAL OFFICE
50 GERBER INDUSTRIAL DR.
ST. PETERS, MO 63376
(877) 296-8044 • (636) 397-8400
FAX (636) 278-4278

WESTERN REGIONAL OFFICE
2985 LOOMIS ROAD
STOCKTON, CA 95205
(888) 245-4401 • (209) 942-2166
FAX (209) 942-2455



www.apevibro.com

SERVICE BULLETIN

VIBRATORY HAMMERS • POWER UNITS/AUGER SYSTEMS • DIESEL & HYDRAULIC HAMMERS
DRILL RIGS • HYDRAULIC PILING RIGS • WICK DRAIN INSTALLERS • LEAD SYSTEMS



www.jandm-usa.com

Antifreeze Coolant Service:

Check the ph level every 250 hours of operation. (Hour meter located on the front of control panel) Adjust as required.

Change antifreeze coolant every two years or every 6,000 hours whichever comes first.

Fan Pulleys:

Grease fan Pulleys as needed using a quality bearing grease. A good practice is to do this every time a unit ships out to a job.

Door Hinges and Latches:

Grease door hinges and latches as needed using a quality all purpose grease. A good practice is to do this every time a unit ships out to a job.

APE HEADQUARTERS

7032 S 196TH STREET
KENT, WA 98032
(800) 248-8498 • (253) 872-0141
FAX (253) 872-8710

NORTHEAST REGIONAL OFFICE

401 HARTLE ST.
SAYREVILLE, NJ 08872
(888) 217-7524 • (732) 432-6604
FAX (732) 432-6608

APE CHINA

BUILDING No. 233, FU QIAO ROAD
GU CUN INDUSTRIAL ZONE BAOSHAN DISTRICT
SHANGHAI, CHINA 201906
011-86-21-5677-1221
FAX 011-86-21-3604-0553

LOUISIANA REGIONAL OFFICE

39266 A DOYLE DRIVE
GONZALES, LA 70737
(225) 644-7722
FAX (225) 644-7626

GULF REGIONAL OFFICE

3975 FM HWY 1485
CONROE, TX 77306
(800) 596-2877 • (936) 271-1044
FAX (936) 271-1046

MID-ATLANTIC REGIONAL OFFICE

500 NEWTON ROAD, #200
VIRGINIA BEACH, VA 23462
(866) 399-7500 • (757) 518-9740
FAX (757) 518-9741

SOUTHEAST REGIONAL OFFICE

1345 INDUSTRIAL PARK ROAD
MULBERRY, FL 33860
(800) 570-3844 • (863) 324-0378
FAX (863) 318-9409

MID-WESTERN REGIONAL OFFICE

50 GERBER INDUSTRIAL DR.
ST. PETERS, MO 63376
(877) 296-8044 • (636) 397-8400
FAX (636) 278-4278

WESTERN REGIONAL OFFICE

2985 LOOMIS ROAD
STOCKTON, CA 95205
(888) 245-4401 • (209) 942-2166
FAX (209) 942-2455