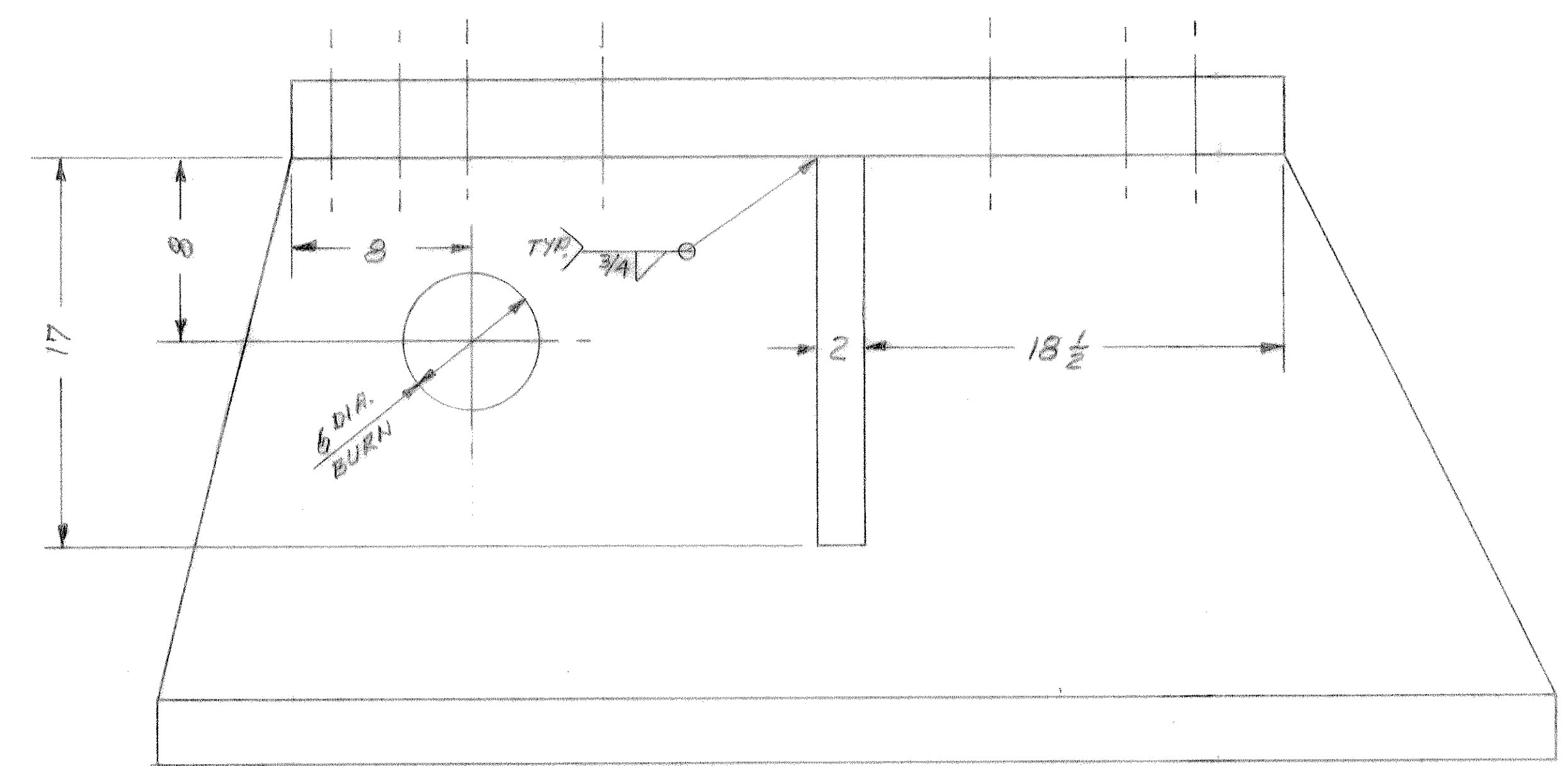
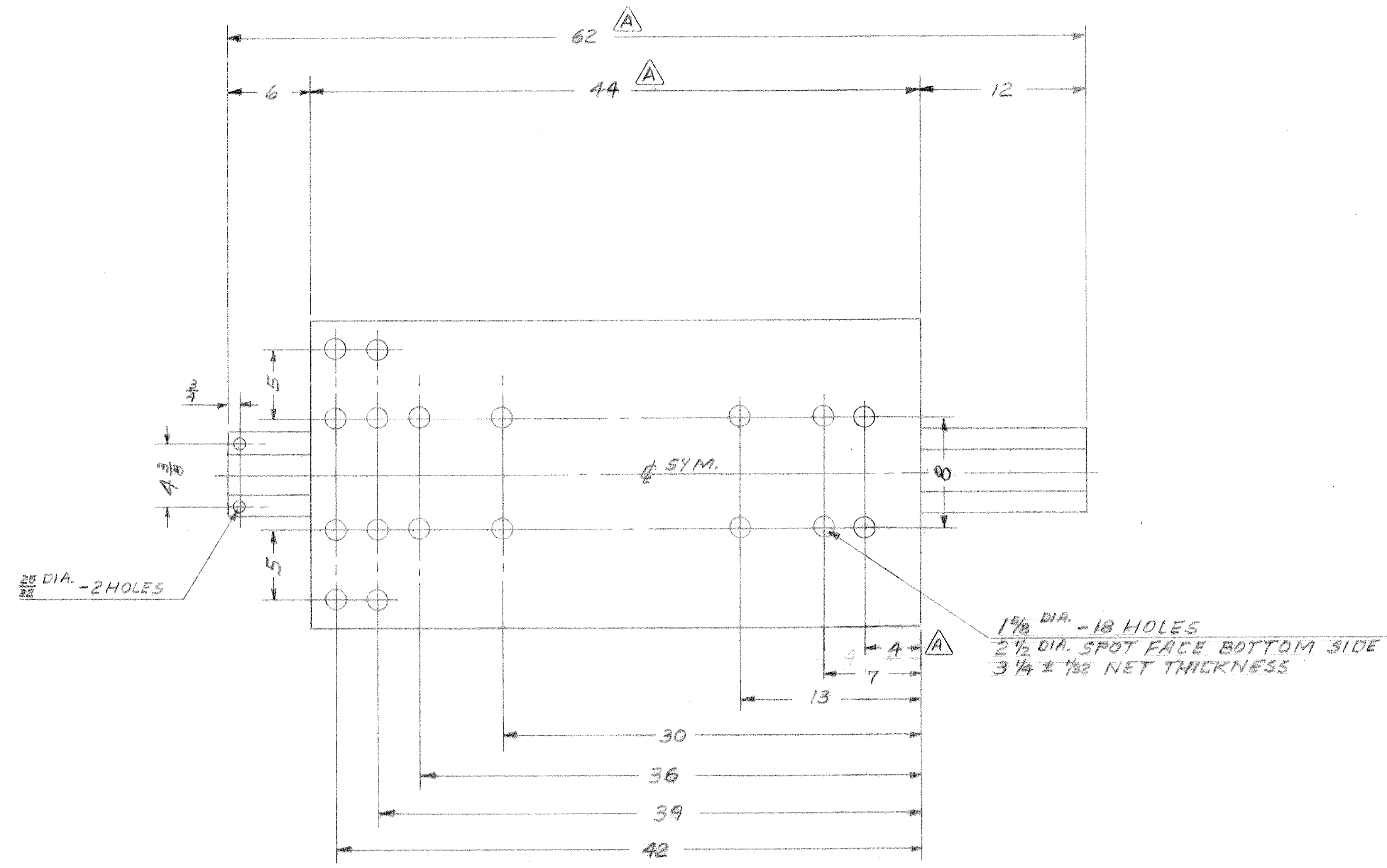


NOTE: 3" WEB PLATE TO BE FLAT WITHIN  $\pm 1/32$   
 MACHINED FOOT TO BE CENTERED  
 ON 3" WEB PLATE



NOTES: 1.) WELD PER AWS  
 2.) STRESS REL. AFTER WELDING

REV.	DATE	DESCRIPTION	BY
		ADDED TWO HOLES A 44" WAS 41" & 62" WAS 47"	WA.
A.P.E., INC. KENT, WA.			
SCALE:	DATE:	APPROVED BY:	DRAWN BY:
3/16	12/19/02		KL.
PARTIAL BRISSON BEAM			REVISION
* 400 & 800 VIBRO			DRAWING NUMBER
			D1202-006